

GARDEN WINDOW
Price List

JANUARY, 2009



RENAISSANCE
CONSERVATORIES

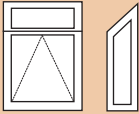
Effective: January, 2009. Prices & specifications subject to change without notice.

PRICING: AWNING-STYLE (Top-Hinged)

4	3	5	6	7	8	9	10	11	12				13	14	15	16	
Model Number	Maximum Sleeve Mount Rough Opening or Max. Face-Mount Dimension (Width x Height)	Base Price 16" Projection (Sleeve-Mount or Pitch=12:12) Cedro Framing	Add for Custom Roof Pitch (Standard)	Add for 24" Projection (Call for)	Add for Shorter Rough Opening (12" Max.) Wall Technical Support	Mounting Sleeve Extension (13-1/4" Max. Technical Thickness)	Counter Top Extension (Call for Outside Metals Support)	Copper or Lead-Coated Copper Roof Caps & Outside	Simulated Colonial Divided Lites Inside & Inside Only (Front & Sides)	Applied Colonial Roof Grilles Outside	Simulated Prairie Divided Lites Inside & Outside (Front Only)	Victorian or Gothic Arches Inside & Only (Front Only)	Crossing Gothic Arches Inside Invisible (Front Only)	Add for GORE™ inLighten™ Virtually Aluminum Window Screens	Roof Sun Screens (Available Only With Roof Caps)	Factory Prime Paint	Revival Series Solid Brass/ Bronze Sash Hardware
3030A	36" x 36"	\$3,546	\$419	\$452	\$250	\$252	\$231	\$220	\$356	\$70	\$168	\$155	\$245	\$86	\$98	\$269	CALL
3040A	36" x 48"	3,822	419	491	250	296	231	220	528	70	247	155	245	112	98	269	
3050A	36" x 60"	4,022	419	525	250	341	231	220	699	70	263	155	245	138	98	269	
3060A	36" x 72"	4,236	419	559	250	385	231	220	871	70	279	155	245	163	98	269	
4030A	48" x 36"	3,828	419	517	279	296	242	250	416	82	247	155	245	107	102	269	
4040A	48" x 48"	4,150	419	558	279	341	242	250	622	82	263	155	245	142	102	269	
4050A	48" x 60"	4,379	419	606	279	399	242	250	827	82	279	155	245	176	102	269	
4060A	48" x 72"	4,623	419	640	279	444	242	250	1033	82	295	155	245	210	102	269	
5030B	60" x 36"	5,237	444	635	323	355	269	304	451	107	445	310	489	154	146	430	CALL
5040B	60" x 48"	5,446	444	677	323	399	269	304	675	107	477	310	489	197	146	430	
5050B	60" x 60"	5,592	444	739	323	472	269	304	899	107	509	310	489	240	146	430	
5060B	60" x 72"	5,745	444	773	323	517	269	304	1123	107	541	310	489	283	146	430	
6030B	72" x 36"	5,402	444	709	352	399	280	363	571	133	461	310	489	172	152	430	
6040B	72" x 48"	5,628	444	767	352	458	280	363	863	133	493	310	489	223	152	430	
6050B	72" x 60"	5,796	444	815	352	517	280	363	1155	133	525	310	489	274	152	430	
6060B	72" x 72"	5,958	444	878	352	589	280	363	1447	133	557	310	489	326	152	430	
9030C	108" x 36"	6,504	469	949	464	547	340	501	787	196	691	465	734	258	206	592	CALL
9040C	108" x 48"	6,825	469	1026	464	620	340	501	1199	196	740	465	734	336	206	592	
9050C	108" x 60"	7,041	469	1103	464	707	340	501	1611	196	788	465	734	414	206	592	
9060C	108" x 72"	7,265	469	1151	464	765	340	501	2023	196	836	465	734	489	206	592	
10030C	120" x 36"	6,654	469	1028	492	605	351	531	787	197	708	465	734	321	209	592	
10040C	120" x 48"	7,000	469	1107	492	678	351	531	1199	197	756	465	734	426	209	592	
10050C	120" x 60"	7,231	469	1184	492	765	351	531	1611	197	804	465	734	528	209	592	
10060C	120" x 72"	7,470	469	1246	492	838	351	531	2023	197	852	465	734	630	209	592	

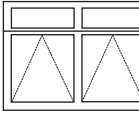
- Standard Features**
- Custom Sized to Fit Your Opening
 - Factory Assembled
 - Cedro (Spanish Cedar) Framing
 - High Performance Low-E Glass
 - Operating Sash with Screens
 - Adjustable Plant Shelves
 - Decorative Corbel Supports
 - Copper Drip Tray

A. (One Operable Awning)



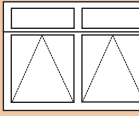
1 Motorized Sash:
Add \$698

B. (Two Operable Awnings)



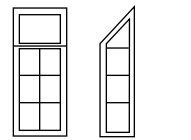
2 Motorized Sash:
Add \$1,396

C. (Three Operable Awnings)

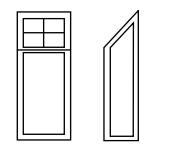


3 Motorized Sash:
Add \$2,094

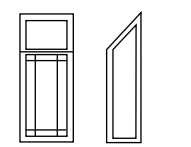
GRID & ARCH OPTIONS SECTION



SIMULATED COLONIAL DIVIDED LITES (Inside & Outside)



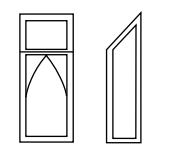
APPLIED COLONIAL ROOF GRILLES (Inside Only)



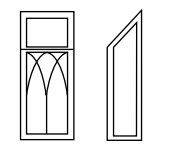
SIMULATED PRAIRIE DIVIDED LITES (Inside & Outside)



VICTORIAN ARCHES (Inside & Outside)



GOTHIC ARCHES (Inside & Outside)

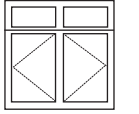


CROSSING GOthic ARCHES (Inside Only) (Optional Inside & Outside)

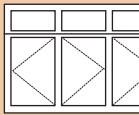
PRICING: CASEMENT-STYLE (Side-Hinged)

4040D	48" x 48"	\$5,222	444	\$593	\$295	\$341	\$258	\$300	\$519	\$81	\$461	310	\$489	172	\$146	\$430	CALL
4050D	48" x 60"	5,350	444	641	295	399	258	300	691	81	493	310	489	206	146	430	
4060D	48" x 72"	5,485	444	675	295	444	258	300	863	81	525	310	489	240	146	430	
6040E	72" x 48"	6,180	469	777	378	458	307	410	683	125	691	465	734	258	198	592	CALL
6050E	72" x 60"	6,355	469	826	378	517	307	410	915	125	740	465	734	309	198	592	
6060E	72" x 72"	6,522	469	888	378	589	307	410	1147	125	788	465	734	360	198	592	
8040F	96" x 48"	7,166	494	1037	514	575	408	521	847	168	922	620	978	344	244	753	CALL
8050F	96" x 60"	7,380	494	1086	514	634	408	521	1139	168	986	620	978	412	244	753	
8060F	96" x 72"	7,586	494	1162	514	721	408	521	1431	168	1051	620	978	480	244	753	

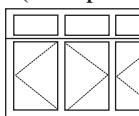
D. (Two Operable Casements)



E. (Three Operable Casements)



F. (Four Operable Casements)

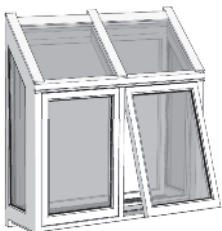


GARDEN WINDOW ORDER FORM

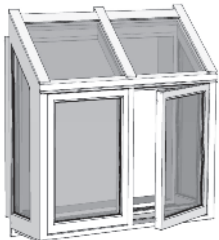
ORDERING IS AS EASY AS **1 2 3**

STEP 1

Circle the preferred **Operable Window Style** (below) and check the appropriate box **1** (right).



Viewed From Outside

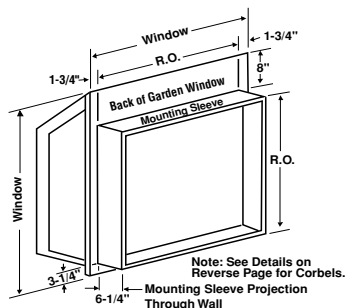


CASEMENT STYLE (Side-Hinged)

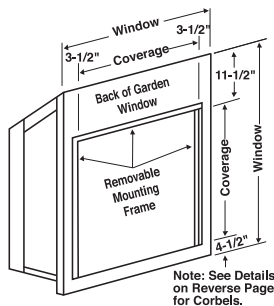
AWNING STYLE (Top-Hinged)

STEP 2

Circle the suitable **Mounting Style** (below), check the appropriate box **2** (right), select and complete the appropriate detail **A** **B** **C** **D**, and submit the Detail Sheet with this Order.



Viewed From Inside



Note: See Details on Reverse Page for Corbels.

SLEEVE-MOUNT

The back of your Garden Window will have a built-in Mounting Sleeve that will "slide" into your window opening. The Mounting Sleeve will go through your wall a maximum of 6-1/4". If your wall is thicker than 6-1/4", we offer a Mounting Sleeve Extension **9** for a wall thickness up to 13-1/4".

FACE-MOUNT

The back of your Garden Window will have a Removable (3-sided) Mounting Frame which attaches to the outside of your house wall. Your window "hangs" on the Mounting Frame and "surrounds" your existing window opening. We can make your Face-Mounted Garden Window down-in-size to barely clear your window opening, or you can keep the larger standard size to enjoy added space.

STEP 3

Measure your old window or measure your new window opening and compare your dimensions with the dimensions on the **3** Pricing Chart. Select the **4** Model Number that is larger than your window opening to determine your **5** Base Price. We will custom build your Garden Window to fit your exact opening dimension.

Garden Window Help Line: 1-800-882-4657 (Mon. - Fri. 9-5 Eastern Time)

Mail To: **RENAISSANCE CONSERVATORIES**
132 Ashmore Drive, Leola, PA 17540
Fax To: 717-661-7727

The Buyer

Ship To

Company _____	Company _____
Name _____	Name _____
Address _____	Address _____
City _____ State _____ ZIP _____	City _____ State _____ ZIP _____
Phone _____ - _____ - _____ Fax _____ - _____ - _____	D. Phone _____ - _____ - _____ E. Phone _____ - _____ - _____
Email _____	Email _____

Will this Garden Window be installed at an elevation exceeding 5,000 feet above sea level? Yes No

- 1** Operable Window Style: Awning Style Casement Style
2 Mounting Style: Sleeve-Mount **A** Face-Mount **B**
 Sleeve-Mount Counter Top Extension **C** Face-Mount Counter Top Extension **D**

3 Size: (Refer to and complete the appropriate Detail Sheet(s), and submit with this Order.)

For Sleeve-Mount: **a** Rough Opening Width _____ **b** Rough Opening Height _____

c Total Wall Thickness _____

For Face-Mount: **a** Coverage Width _____ **b** Coverage Height _____

4 Model Number: _____ **5** Base Price \$ _____

6 Add for Custom Roof Pitch **E** [a] Specify Roof Pitch _____ \$ _____

7 Add for 24" Projection \$ _____

8 Add for Shorter Rough Opening **F** (12" maximum) (Call for Technical Support) \$ _____

9 Add for Mounting Sleeve Extension Total Finished Wall Thickness _____ \$ _____

10 Add for Counter Top Extension (Call for Technical Support) Counter Thickness _____ \$ _____

11 Add for Copper Roof Caps & Outside Metals Lead-Coated Copper Roof Caps & Outside Metals \$ _____

12 Add for Simulated Colonial Divided Lites Simulated Prairie Divided Lites: 5/8" 7/8" \$ _____

Applied Colonial Roof Grilles: 5/8" 7/8" \$ _____

Victorian Arches Gothic Arches Crossing Gothic Arches \$ _____

13 Add for GORE™ inLighten™ Virtually Invisible Window Screens \$ _____

14 Add for Roof Sun Screens Aluminum Frame & Track Color: Bronze White \$ _____

15 Add for Factory Prime Paint Inside Only Outside Only Both Inside and Outside \$ _____

16 Add for _____ \$ _____

17 Add for _____ \$ _____

Sub-Total \$ _____

\$ _____

18 FINISHES SECTION

Framing: Cedro Western Red Cedar* Honduran Mahogany*

* Call for price quotation.

Roof Caps & Outside Metals:

- Standard Bronze Aluminum
 Standard White Aluminum
 Optional Copper
 Optional Lead-Coated Copper

Window Hardware, Shelf Hardware & Screens Frames:

- Bronze White Beige

Shelves: Glass Wood

Optional Revival Series Brass/Bronze Hardware Finish:

- 0125 0104 0105

Terms: 50% Deposit, Balance due prior to shipment. Prices are F.O.B. Leola, Pennsylvania. Shipping will be freight collect. Prices subject to change without notice. Your Garden Window will be made to order and will take approximately 6 - 10 weeks. Your Garden Window will arrive assembled and crated, and may weigh several hundred pounds. You will need to provide the necessary manpower to remove it from the truck and transport it to your site.

Tax No. on file. PA and MD Residents add 6%, NJ Residents add 7% Sales Tax

Total Order \$ _____

50% Deposit (\$ _____)

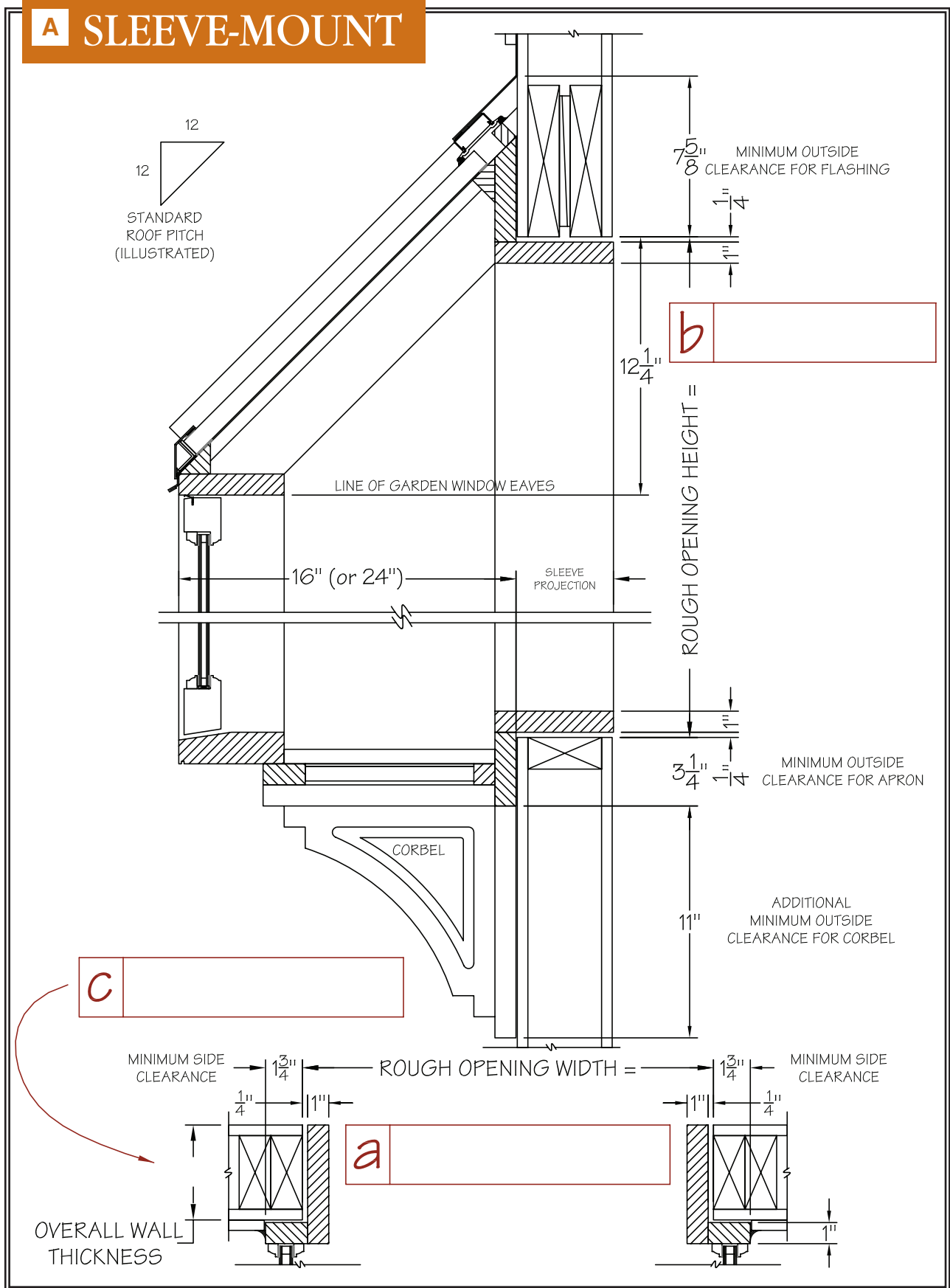
Balance \$ _____

Signature _____ Date _____

Method of Payment: Check/Money Order

Credit Card Account Number _____ Expiration Date _____

A SLEEVE-MOUNT



RENAISSANCE CONSERVATORIES

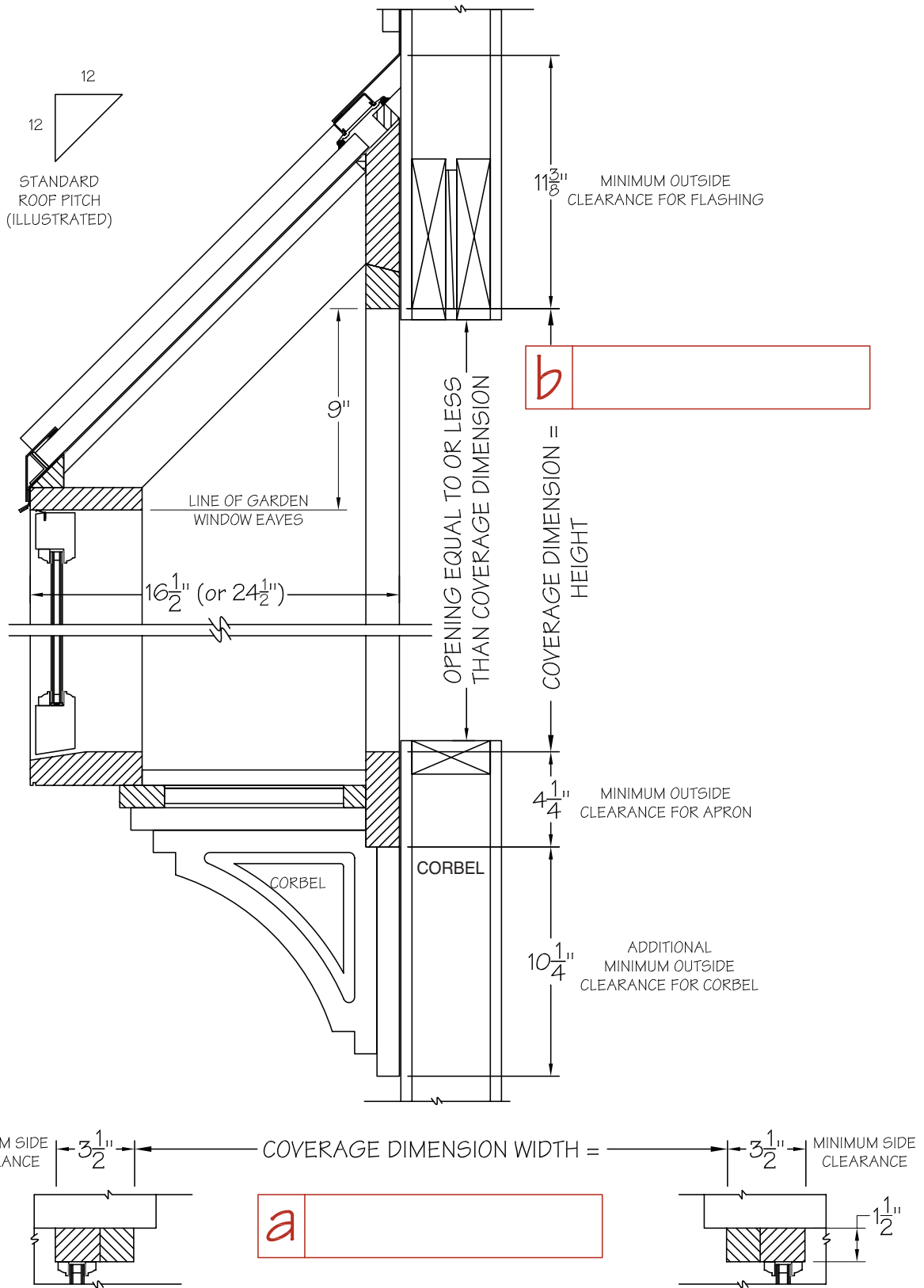
132 Ashmore Drive, Leola, PA 17540
 800-882-4657 717-661-7520 Fax 717-661-7727
 www.RenaissanceConservatories.com

PLEASE SIGN AND DATE TO PROCEED.

Customer's Signature

Date

B FACE-MOUNT



RENAISSANCE CONSERVATORIES

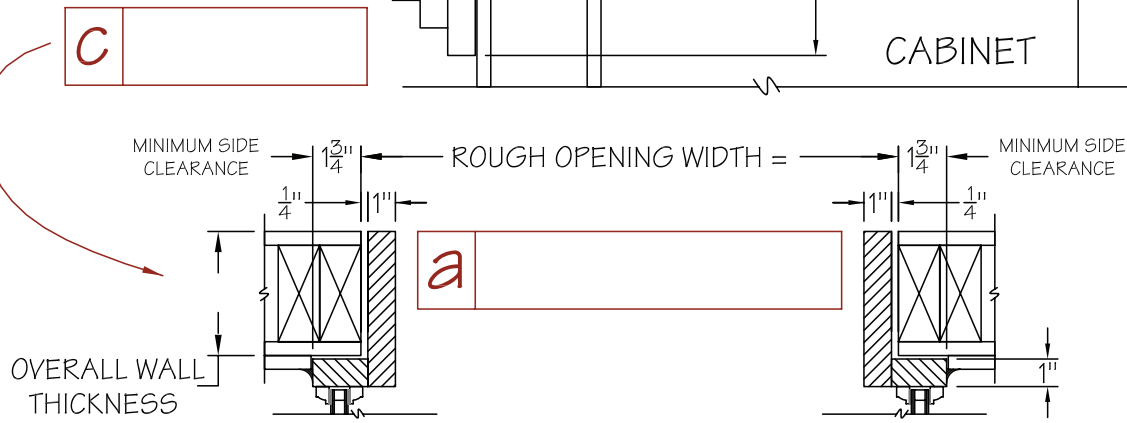
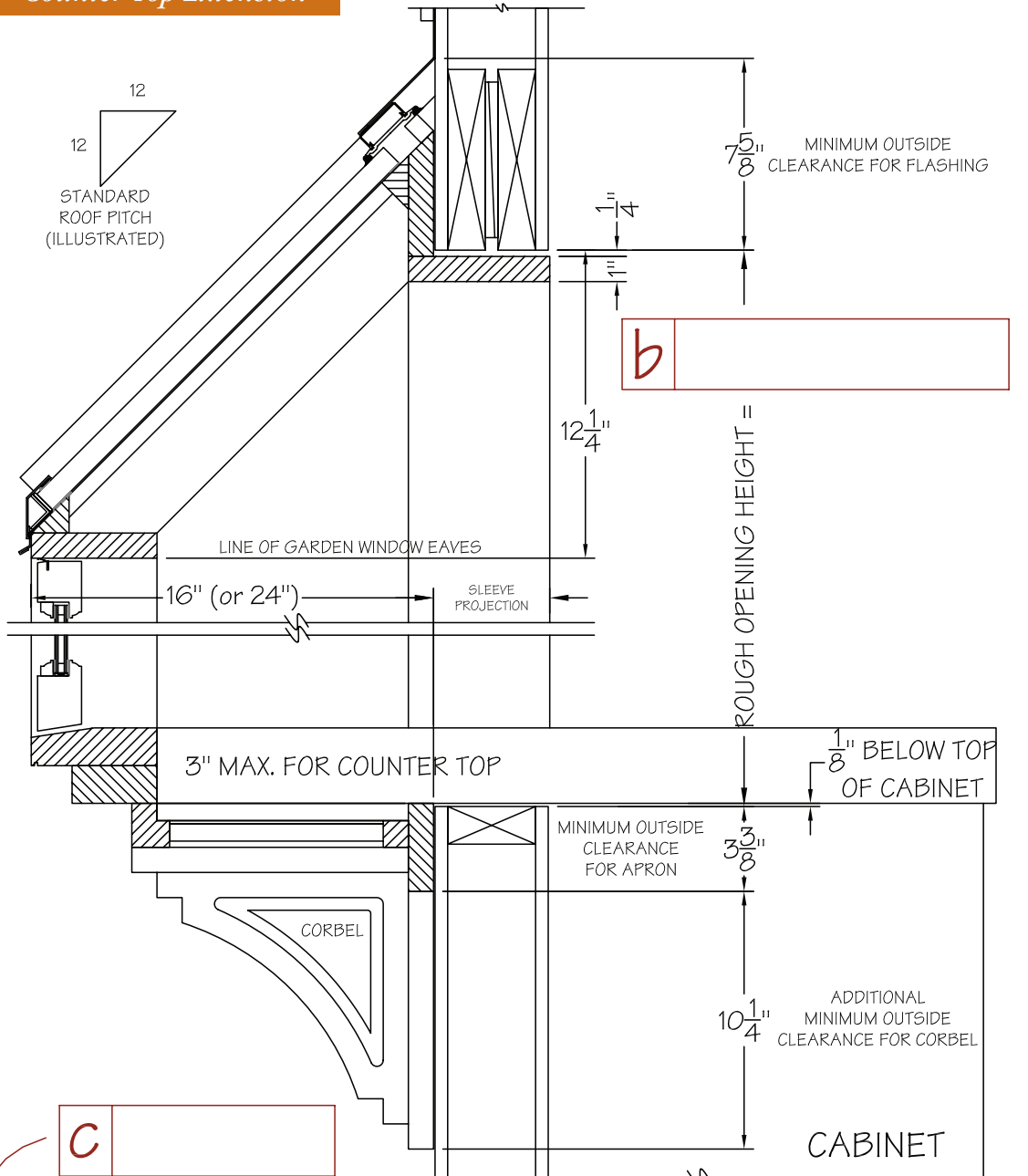
132 Ashmore Drive, Leola, PA 17540
 800-882-4657 717-661-7520 Fax 717-661-7727
 www.RenaissanceConservatories.com

PLEASE SIGN AND DATE TO PROCEED.

Customer's Signature

Date

C SLEEVE-MOUNT
Counter Top Extension



RENAISSANCE CONSERVATORIES

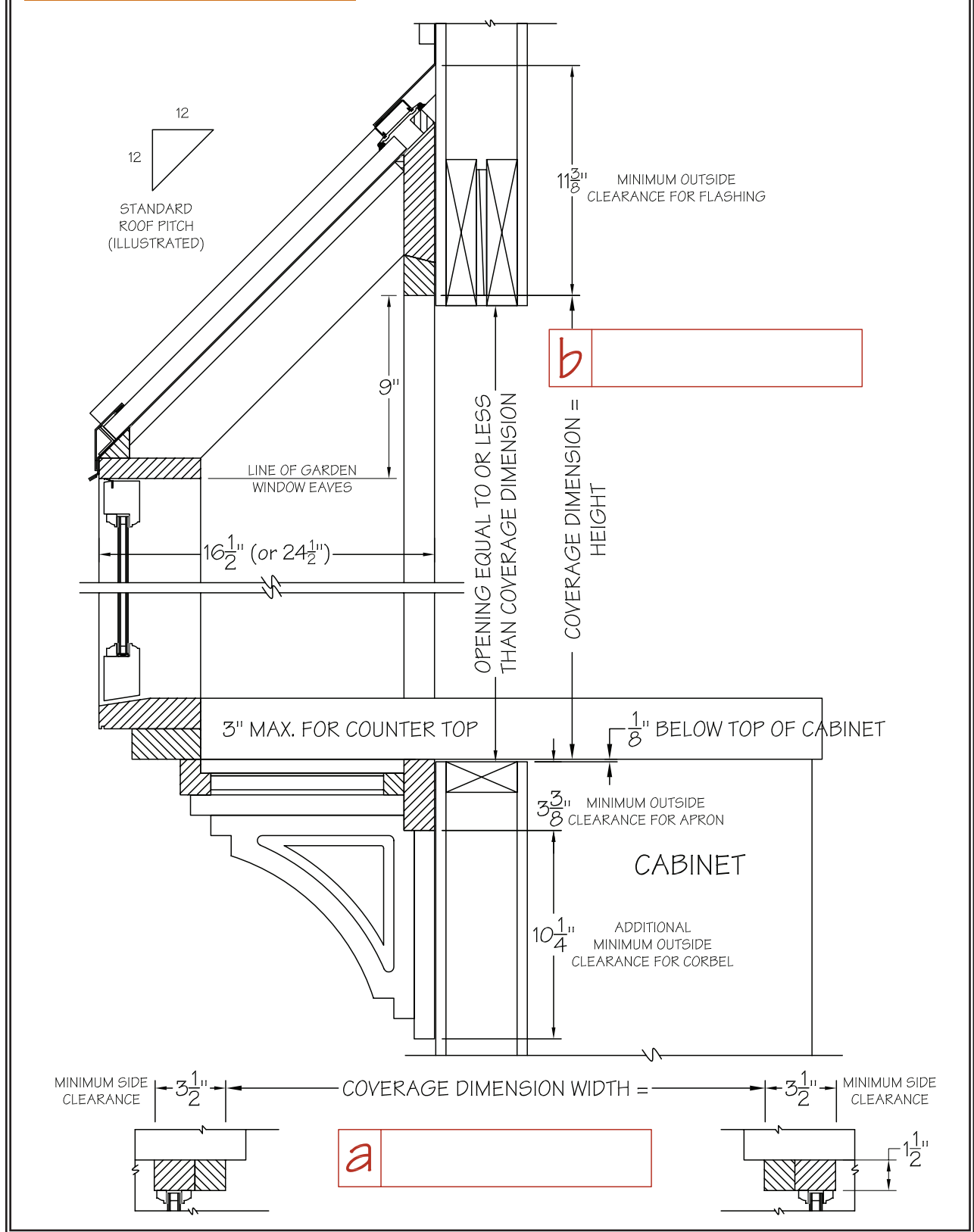
132 Ashmore Drive, Leola, PA 17540
800-882-4657 717-661-7520 Fax 717-661-7727
www.RenaissanceConservatories.com

PLEASE SIGN AND DATE TO PROCEED.

Customer's Signature

Date

D **FACE-MOUNT**
Counter Top Extension



RENAISSANCE CONSERVATORIES

132 Ashmore Drive, Leola, PA 17540
800-882-4657 717-661-7520 Fax 717-661-7727
www.RenaissanceConservatories.com

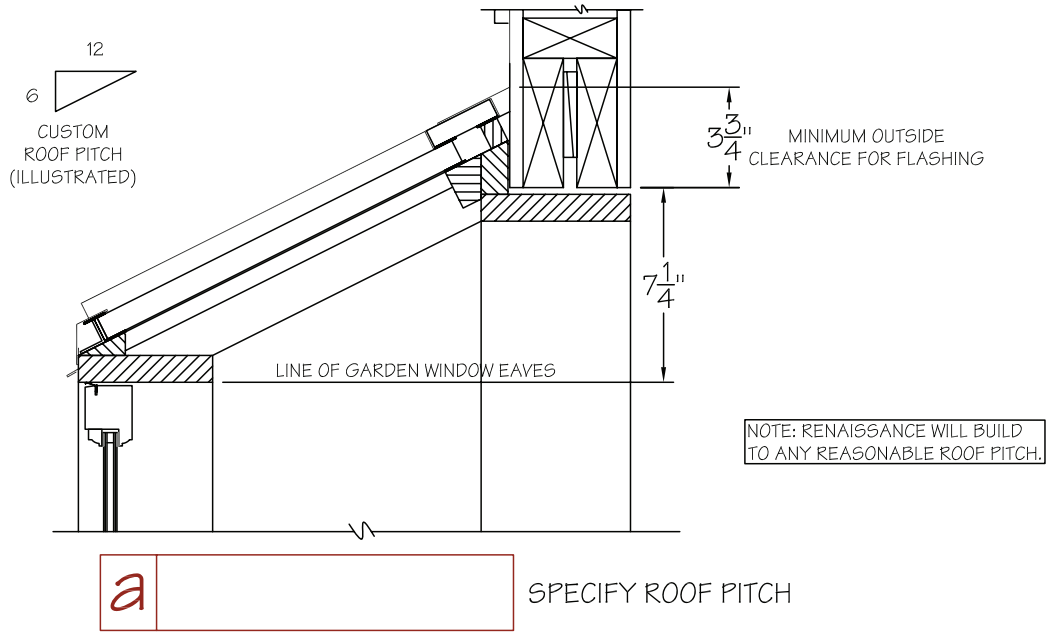
PLEASE SIGN AND DATE TO PROCEED.

Customer's Signature

Date

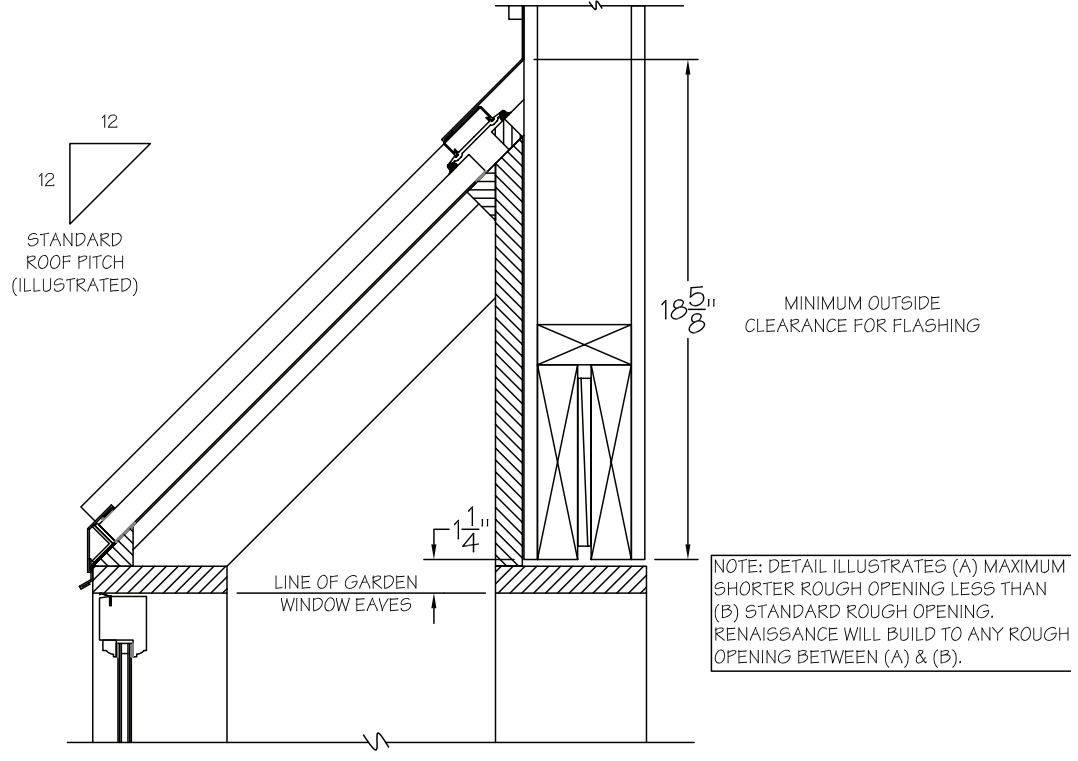
6 DETAILS - E

E CUSTOM ROOF PITCH



8 DETAILS - F

F SHORTER ROUGH OPENING



RENAISSANCE CONSERVATORIES

132 Ashmore Drive, Leola, PA 17540
 800-882-4657 717-661-7520 Fax 717-661-7727
 www.RenaissanceConservatories.com

PLEASE SIGN AND DATE TO PROCEED.

Customer's Signature

Date