

GARDEN WINDOW  
*Price List*

JANUARY, 2011



**RENAISSANCE**  
CONSERVATORIES

**Effective:** January, 2011. Prices & specifications subject to change without notice.

## PRICING: AWNING-STYLE (Top-Hinged)

| 4            | 3   | 5  | 6  | 7  | 8  | 9  | 10  | 11  | 12  | 13   | 14  | 15   | 16  |  |   |   |                             |  |
|--------------|---|--|--|--|--|--|---|---|---|--|---|--|---|--|---|---|-----------------------------|--|
| Model Number | Maximum Sleeve-Mount Rough Opening or Max. Face-Mount Coverage Dimension (Width x Height) | Base Price (16" Projection, Sleeve-Mount or Face-Mount Cedar Framing, 12:12 Pitch) | Add for Custom Roof Pitch (Standard Pitch=12:12) | Add for 24" Projection (Call for Tech Support) | Add for Shorter Rough Opening (12" Max.) (Call for Tech Support) | Add for Sleeve Extension (13-1/4" Max. Wall Thickness) (Call for Tech Support) | Add for Counter Top Extension (Call for Tech Support) | Add for Copper Roof Caps & Outside Metals | Add for Lead-Coated Copper Roof Caps & Outside Metals | Add for Simulated Colonial Divided Lites (Inside & Outside, Front & Sides) | Add for Applied Colonial Roof Grilles (Inside Only) | Add for Simulated Prairie Divided Lites Grilles (Inside & Outside, Front Only) | Add for Victorian or Gothic Arches (Inside & Outside, Front Only) | Add for Crossing Gothic Arches (Priced Per Side, Front Only) | Add for GORE™ inLighten™ Virtually Invisible Window Screens | Add for Roof Sun Screens (Available Only with Aluminum Roof Caps) | Add for Factory Prime Paint | Add for Revival Series Solid Brass/ Bronze Sash Hardware |
| 3030A        | 36" x 36"   | \$3,773  | \$419  | \$473  | \$250  | \$289  | \$231   | \$159                                     | \$373   | \$342  | \$70  | \$277  | \$155   | \$245  | \$86  | \$98  | \$323                       | \$327  |
| 3040A        | 36" x 48"   | 4,089  | 419  | 516  | 250  | 339  | 231   | 159                                       | 373   | 602  | 70  | 277  | 155   | 245  | 112   | 98  | 323                         | 327  |
| 3050A        | 36" x 60"   | 4,317  | 419  | 553  | 250  | 390  | 231   | 159                                       | 373   | 802  | 70  | 296  | 155   | 245  | 138   | 98  | 323                         | 327  |
| 3060A        | 36" x 72"   | 4,560  | 419  | 590  | 250  | 440  | 231   | 159                                       | 373   | 796  | 70  | 316  | 155   | 245  | 163   | 98  | 323                         | 327  |
| 4030A        | 48" x 36"   | 4,084  | 419  | 537  | 279  | 339  | 242   | 176                                       | 414   | 413  | 82  | 277  | 155   | 245  | 107   | 102   | 323                         | 327  |
| 4040A        | 48" x 48"   | 4,451  | 419  | 582  | 279  | 390  | 242   | 176                                       | 414   | 713  | 82  | 296  | 155   | 245  | 142   | 102   | 323                         | 327  |
| 4050A        | 48" x 60"   | 4,711  | 419  | 633  | 279  | 455  | 242   | 176                                       | 414   | 954  | 82  | 316  | 155   | 245  | 176   | 102   | 323                         | 327  |
| 4060A        | 48" x 72"   | 4,985  | 419  | 670  | 279  | 505  | 242   | 176                                       | 414   | 979  | 82  | 335  | 155   | 245  | 210   | 102   | 323                         | 327  |
| 5030B        | 60" x 36"   | 5,413  | 444  | 656  | 323  | 404  | 269   | 238                                       | 559   | 519  | 107   | 496  | 310   | 489  | 154   | 146   | 538                         | 654  |
| 5040B        | 60" x 48"   | 5,653  | 444  | 702  | 323  | 455  | 269   | 238                                       | 559   | 790  | 107   | 535  | 310   | 489  | 197   | 146   | 538                         | 654  |
| 5050B        | 60" x 60"   | 5,817  | 444  | 768  | 323  | 534  | 269   | 238                                       | 559   | 1061   | 107   | 573  | 310   | 489  | 240   | 146   | 538                         | 654  |
| 5060B        | 60" x 72"   | 5,990  | 444  | 805  | 323  | 584  | 269   | 238                                       | 559   | 1251   | 107   | 612  | 310   | 489  | 283   | 146   | 538                         | 654  |
| 6030B        | 72" x 36"   | 5,595  | 444  | 731  | 352  | 455  | 280   | 255                                       | 600   | 649  | 133   | 516  | 310   | 489  | 172   | 152   | 538                         | 654  |
| 6040B        | 72" x 48"   | 5,854  | 444  | 794  | 352  | 520  | 280   | 255                                       | 600   | 990  | 133   | 554  | 310   | 489  | 223   | 152   | 538                         | 654  |
| 6050B        | 72" x 60"   | 6,043  | 444  | 845  | 352  | 584  | 280   | 255                                       | 600   | 1331   | 133   | 593  | 310   | 489  | 274   | 152   | 538                         | 654  |
| 6060B        | 72" x 72"   | 6,224  | 444  | 910  | 352  | 663  | 280   | 255                                       | 600   | 1580   | 133   | 631  | 310   | 489  | 326   | 152   | 538                         | 654  |
| 9030C        | 108" x 36"  | 6,769  | 469  | 984  | 464  | 621  | 340   | 352                                       | 827   | 720  | 196   | 773  | 465   | 734  | 258   | 206   | 753                         | 981  |
| 9040C        | 108" x 48"  | 7,135  | 469  | 1066   | 464  | 700  | 340   | 352                                       | 827   | 1113   | 196   | 831  | 465   | 734  | 336   | 206   | 753                         | 981  |
| 9050C        | 108" x 60"  | 7,376  | 469  | 1146   | 464  | 793  | 340   | 352                                       | 827   | 1507   | 196   | 889  | 465   | 734  | 414   | 206   | 753                         | 981  |
| 9060C        | 108" x 72"  | 7,625  | 469  | 1198   | 464  | 858  | 340   | 352                                       | 827   | 1774   | 196   | 947  | 465   | 734  | 489   | 206   | 753                         | 981  |
| 10030C       | 120" x 36"  | 6,935  | 469  | 1062   | 492  | 685  | 351   | 369                                       | 868   | 908  | 197   | 793  | 465   | 734  | 321   | 209   | 753                         | 981  |
| 10040C       | 120" x 48"  | 7,327  | 469  | 1146   | 492  | 764  | 351   | 369                                       | 868   | 1402   | 197   | 850  | 465   | 734  | 426   | 209   | 753                         | 981  |
| 10050C       | 120" x 60"  | 7,585  | 469  | 1226   | 492  | 858  | 351   | 369                                       | 868   | 1896   | 197   | 908  | 465   | 734  | 528   | 209   | 753                         | 981  |
| 10060C       | 120" x 72"  | 7,851  | 469  | 1292   | 492  | 937  | 351   | 369                                       | 868   | 2251   | 197   | 966  | 465   | 734  | 630   | 209   | 753                         | 981  |

- Standard Features**
- Custom Sized to Fit Your Opening
  - Factory Assembled
  - Cedro (Spanish Cedar) Framing
  - High Performance Low-E-Glass
  - Operating Sash with Screens
  - Adjustable Plant Shelves
  - Decorative Corbel Supports
  - Copper Drip Tray

### A. (One Operable Awning)

1 Motorized Sash:  
Add \$698

### B. (Two Operable Awnings)

2 Motorized Sash:  
Add \$1,396

### C. (Three Operable Awnings)

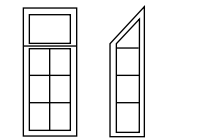
3 Motorized Sash:  
Add \$2,094

### D. (Two Operable Casements)

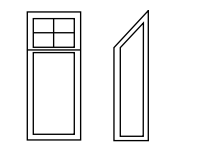
### E. (Three Operable Casements)

### F. (Four Operable Casements)

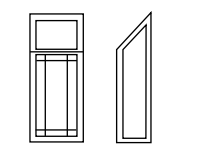
## GRID & ARCH OPTIONS SECTION



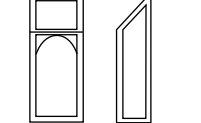
### SIMULATED COLONIAL DIVIDED LITES (Inside & Outside)



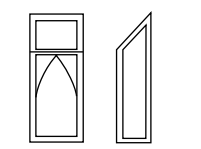
### APPLIED COLONIAL ROOF GRILLES (Inside Only)



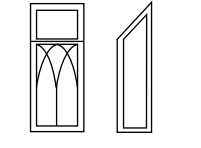
### SIMULATED PRAIRIE DIVIDED LITES (Inside & Outside)



### VICTORIAN ARCHES (Inside & Outside)



### GOTHIC ARCHES (Inside & Outside)



### CROSSING GOthic ARCHES (Inside Only) (Optional Inside & Outside)

## PRICING: CASEMENT-STYLE (Side-Hinged)

|       |           |         |     |       |       |       |       |       |     |       |      |       |     |       |     |       |       |      |
|-------|-----------|---------|-----|-------|-------|-------|-------|-------|-----|-------|------|-------|-----|-------|-----|-------|-------|------|
| 4040D | 48" x 48" | \$5,426 | 444 | \$618 | \$295 | \$390 | \$258 | \$220 | 518 | \$590 | \$81 | \$516 | 310 | \$489 | 172 | \$146 | \$538 | 654  |
| 4050D | 48" x 60" | 5,571   | 444 | 670   | 295   | 455   | 258   | 220   | 518 | 767   | 81   | 554   | 310 | 489   | 206 | 146   | 538   | 654  |
| 4060D | 48" x 72" | 5,724   | 444 | 707   | 295   | 505   | 258   | 220   | 518 | 921   | 81   | 593   | 310 | 489   | 240 | 146   | 538   | 654  |
| 6040E | 72" x 48" | 6,457   | 469 | 811   | 378   | 520   | 307   | 300   | 704 | 779   | 125  | 773   | 465 | 734   | 258 | 198   | 753   | 981  |
| 6050E | 72" x 60" | 6,652   | 469 | 862   | 378   | 584   | 307   | 300   | 704 | 1049  | 125  | 831   | 465 | 734   | 309 | 198   | 753   | 981  |
| 6060E | 72" x 72" | 6,841   | 469 | 928   | 378   | 663   | 307   | 300   | 704 | 1227  | 125  | 889   | 465 | 734   | 360 | 198   | 753   | 981  |
| 8040F | 96" x 48" | 7,518   | 494 | 1077  | 514   | 649   | 408   | 379   | 891 | 967   | 168  | 1031  | 620 | 978   | 344 | 244   | 968   | 1308 |
| 8050F | 96" x 60" | 7,757   | 494 | 1128  | 514   | 714   | 408   | 379   | 891 | 1308  | 168  | 1108  | 620 | 978   | 412 | 244   | 968   | 1308 |
| 8060F | 96" x 72" | 7,989   | 494 | 1208  | 514   | 807   | 408   | 379   | 891 | 1534  | 168  | 1185  | 620 | 978   | 480 | 244   | 968   | 1308 |

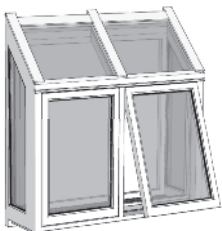
Garden Window Help Line: 1-800-882-4657 (Mon. - Fri. 9-5 Eastern Time)

# GARDEN WINDOW ORDER FORM

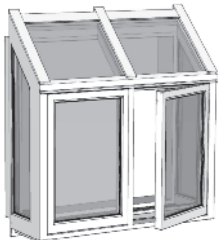
ORDERING IS AS EASY AS **1 2 3**

## STEP 1

Circle the preferred **Operable Window Style** (below) and check the appropriate box **1** (right).



Viewed From Outside

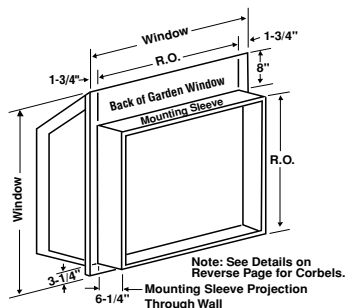


CASEMENT STYLE (Side-Hinged)

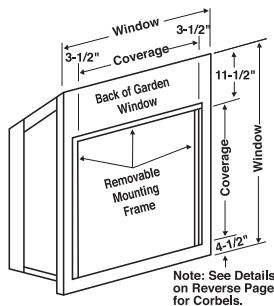
AWNING STYLE (Top-Hinged)

## STEP 2

Circle the suitable **Mounting Style** (below), check the appropriate box **2** (right), select and complete the appropriate detail **A** **B** **C** **D**, and submit the Detail Sheet with this Order.



Viewed From Inside



Note: See Details on Reverse Page for Corbels.

### SLEEVE-MOUNT

The back of your Garden Window will have a built-in Mounting Sleeve that will "slide" into your window opening. The Mounting Sleeve will go through your wall a maximum of 6-1/4". If your wall is thicker than 6-1/4", we offer a Mounting Sleeve Extension **9** for a wall thickness up to 13-1/4".

### FACE-MOUNT

The back of your Garden Window will have a Removable (3-sided) Mounting Frame which attaches to the outside of your house wall. Your window "hangs" on the Mounting Frame and "surrounds" your existing window opening. We can make your Face-Mounted Garden Window down-in-size to barely clear your window opening, or you can keep the larger standard size to enjoy added space.

## STEP 3

Measure your old window or measure your new window opening and compare your dimensions with the dimensions on the **3** Pricing Chart. Select the **4** Model Number that is larger than your window opening to determine your **5** Base Price. We will custom build your Garden Window to fit your exact opening dimension.

**Garden Window Help Line: 1-800-882-4657 (Mon. - Fri. 9-5 Eastern Time)**

Mail To: **RENAISSANCE CONSERVATORIES**  
132 Ashmore Drive, Leola, PA 17540  
Fax To: 717-661-7727

The Buyer

Ship To

|   |   |
|---|---|
| Company _____   | Company _____   |
| Name _____  | Name _____  |
| Address _____   | Address _____   |
| City _____ State _____ ZIP _____                      | City _____ State _____ ZIP _____                              |
| Phone _____ - _____ - _____ Fax _____ - _____ - _____ | D. Phone _____ - _____ - _____ E. Phone _____ - _____ - _____ |
| Email _____   | Email _____   |

Will this Garden Window be installed at an elevation exceeding 5,000 feet above sea level?  Yes  No

- 1** Operable Window Style:  Awning Style  Casement Style  
**2** Mounting Style:  Sleeve-Mount **A**  Face-Mount **B**  
 Sleeve-Mount Counter Top Extension **C**  Face-Mount Counter Top Extension **D**

**3** Size: (Refer to and complete the appropriate Detail Sheet(s), and submit with this Order.)

For Sleeve-Mount: **a** Rough Opening Width \_\_\_\_\_ **b** Rough Opening Height \_\_\_\_\_

**c** Total Wall Thickness \_\_\_\_\_

For Face-Mount: **a** Coverage Width \_\_\_\_\_ **b** Coverage Height \_\_\_\_\_

**4** Model Number: \_\_\_\_\_ **5** Base Price \$ \_\_\_\_\_

**6** Add for  Custom Roof Pitch **E** [a] Specify Roof Pitch \_\_\_\_\_ \$ \_\_\_\_\_

**7** Add for  24" Projection \$ \_\_\_\_\_

**8** Add for  Shorter Rough Opening **F** (12" maximum) (Call for Technical Support) \$ \_\_\_\_\_

**9** Add for  Mounting Sleeve Extension Total Finished Wall Thickness \_\_\_\_\_ \$ \_\_\_\_\_

**10** Add for  Counter Top Extension (Call for Technical Support) Counter Thickness \_\_\_\_\_ \$ \_\_\_\_\_

**11** Add for  Copper Roof Caps & Outside Metals  Lead-Coated Copper Roof Caps & Outside Metals \$ \_\_\_\_\_

**12** Add for  Simulated Colonial Divided Lites  Simulated Prairie Divided Lites:  5/8"  7/8" \$ \_\_\_\_\_

Applied Colonial Roof Grilles:  5/8"  7/8" \$ \_\_\_\_\_

Victorian Arches  Gothic Arches  Crossing Gothic Arches \$ \_\_\_\_\_

**13** Add for  GORE™ inLighten™ Virtually Invisible Window Screens \$ \_\_\_\_\_

**14** Add for  Roof Sun Screens Aluminum Frame & Track Color:  Bronze  White \$ \_\_\_\_\_

**15** Add for  Factory Prime Paint  Inside Only  Outside Only  Both Inside and Outside \$ \_\_\_\_\_

**16** Add for  \_\_\_\_\_ \$ \_\_\_\_\_

**17** Add for  \_\_\_\_\_ \$ \_\_\_\_\_

Sub-Total \$ \_\_\_\_\_

\$ \_\_\_\_\_

### 18 FINISHES SECTION

Framing:  Cedro  Western Red Cedar\*  Honduran Mahogany\*

\* Call for price quotation.

Roof Caps & Outside Metals:

- Standard Bronze Aluminum  
 Standard White Aluminum  
 Optional Copper  
 Optional Lead-Coated Copper

Window Hardware, Shelf Hardware & Screens Frames:

- Bronze  White  Beige

Shelves:  Glass  Wood

Optional Revival Series Brass/Bronze Hardware Finish:

- 0125  0104  0105

**Terms:** 50% Deposit, Balance due prior to shipment. Prices are F.O.B. Leola, Pennsylvania. Shipping will be freight collect. Prices subject to change without notice. Your Garden Window will be made to order and will take approximately 6 - 10 weeks. Your Garden Window will arrive assembled and crated, and may weigh several hundred pounds. You will need to provide the necessary manpower to remove it from the truck and transport it to your site.

Tax No. on file. PA and MD Residents add 6%, NJ Residents add 7% Sales Tax

Total Order \$ \_\_\_\_\_

50% Deposit (\$ \_\_\_\_\_)

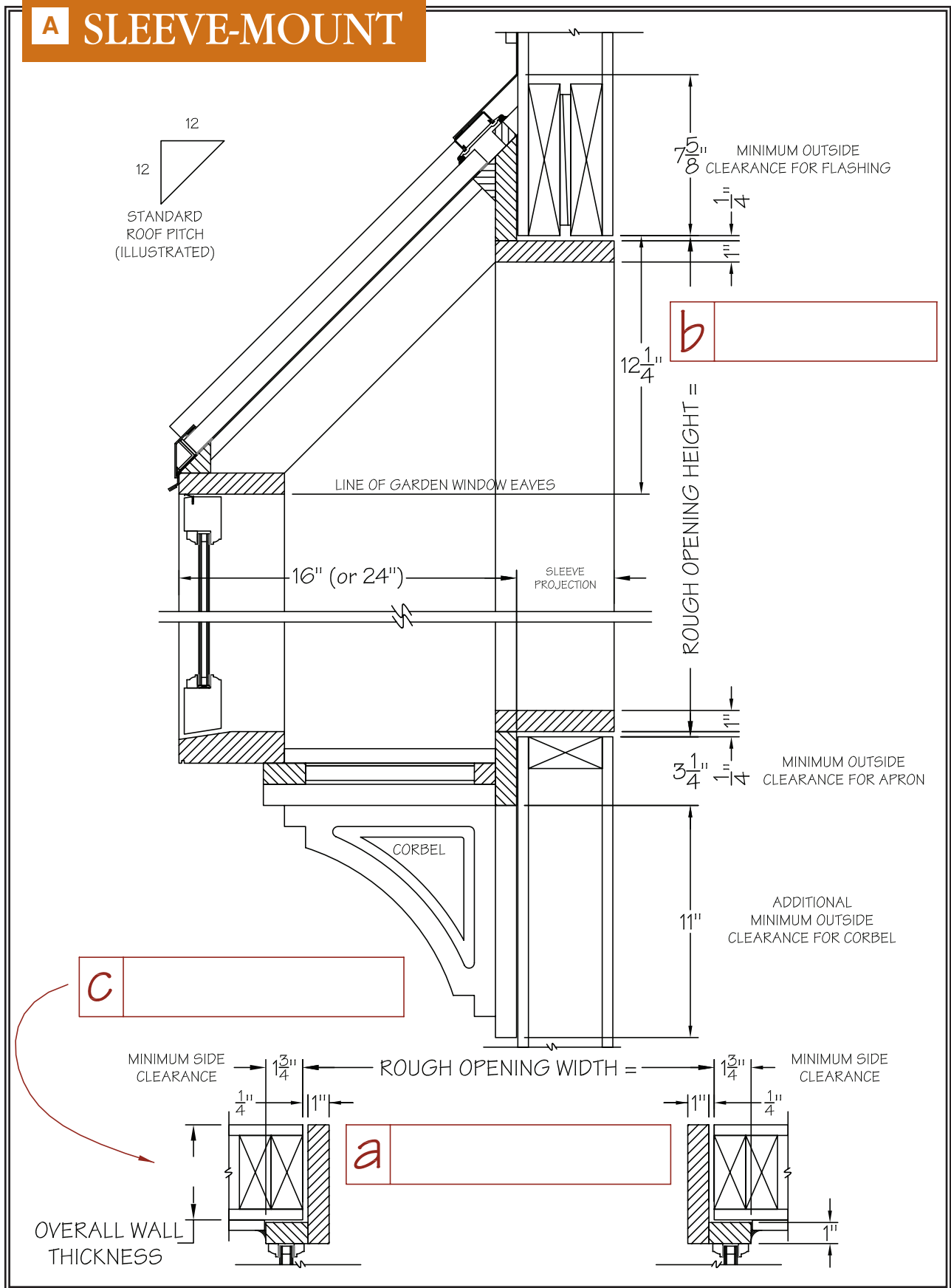
Balance \$ \_\_\_\_\_

Signature \_\_\_\_\_ Date \_\_\_\_\_

Method of Payment:  Check/Money Order

Credit Card Account Number \_\_\_\_\_ Expiration Date \_\_\_\_\_

**A SLEEVE-MOUNT**



**RENAISSANCE CONSERVATORIES**

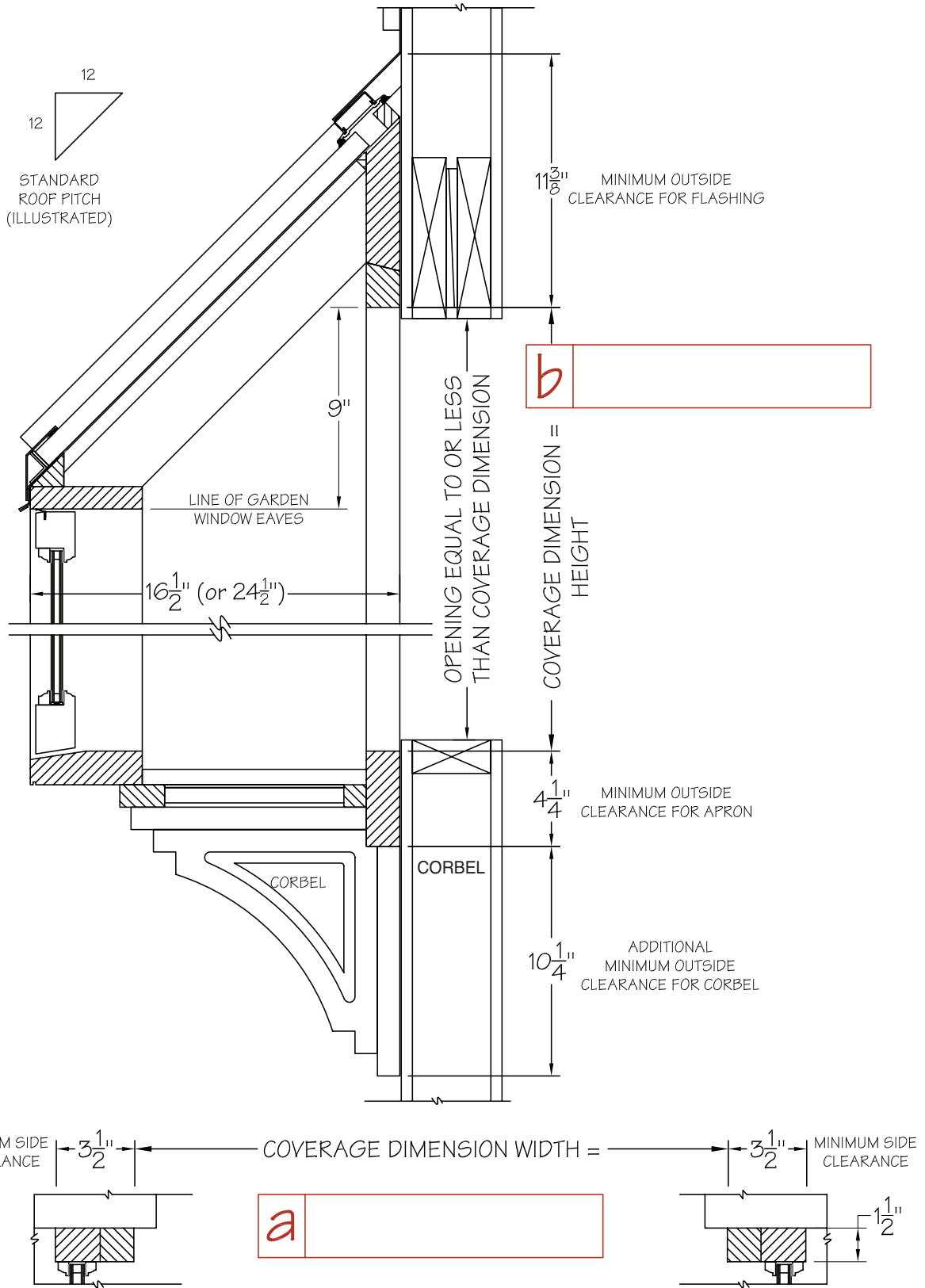
132 Ashmore Drive, Leola, PA 17540  
 800-882-4657 717-661-7520 Fax 717-661-7727  
 www.RenaissanceConservatories.com

**PLEASE SIGN AND DATE TO PROCEED.**

Customer's Signature

Date

**B** FACE-MOUNT



RENAISSANCE CONSERVATORIES

132 Ashmore Drive, Leola, PA 17540  
 800-882-4657 717-661-7520 Fax 717-661-7727  
 www.RenaissanceConservatories.com

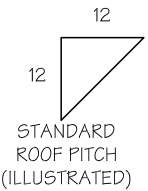
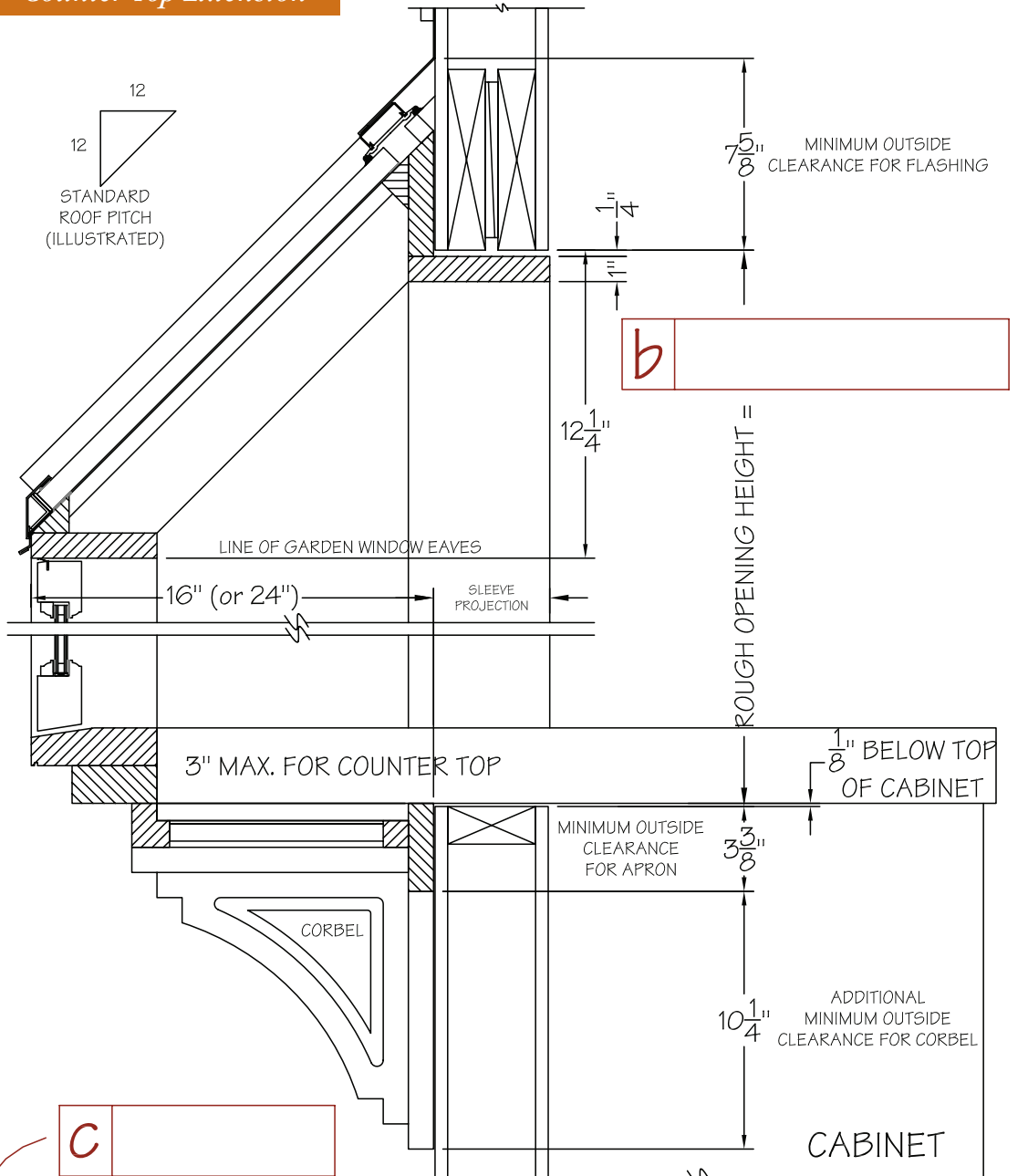
PLEASE SIGN AND DATE TO PROCEED.

[ ]

Customer's Signature

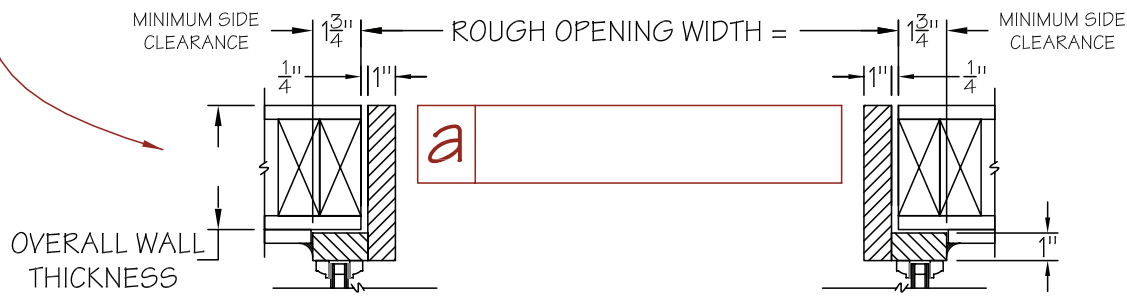
Date

**C** SLEEVE-MOUNT  
Counter Top Extension



**b** [Red box for rough opening height]

**c** [Red box for rough opening width]



**RENAISSANCE CONSERVATORIES**  
132 Ashmore Drive, Leola, PA 17540  
800-882-4657 717-661-7520 Fax 717-661-7727  
www.RenaissanceConservatories.com

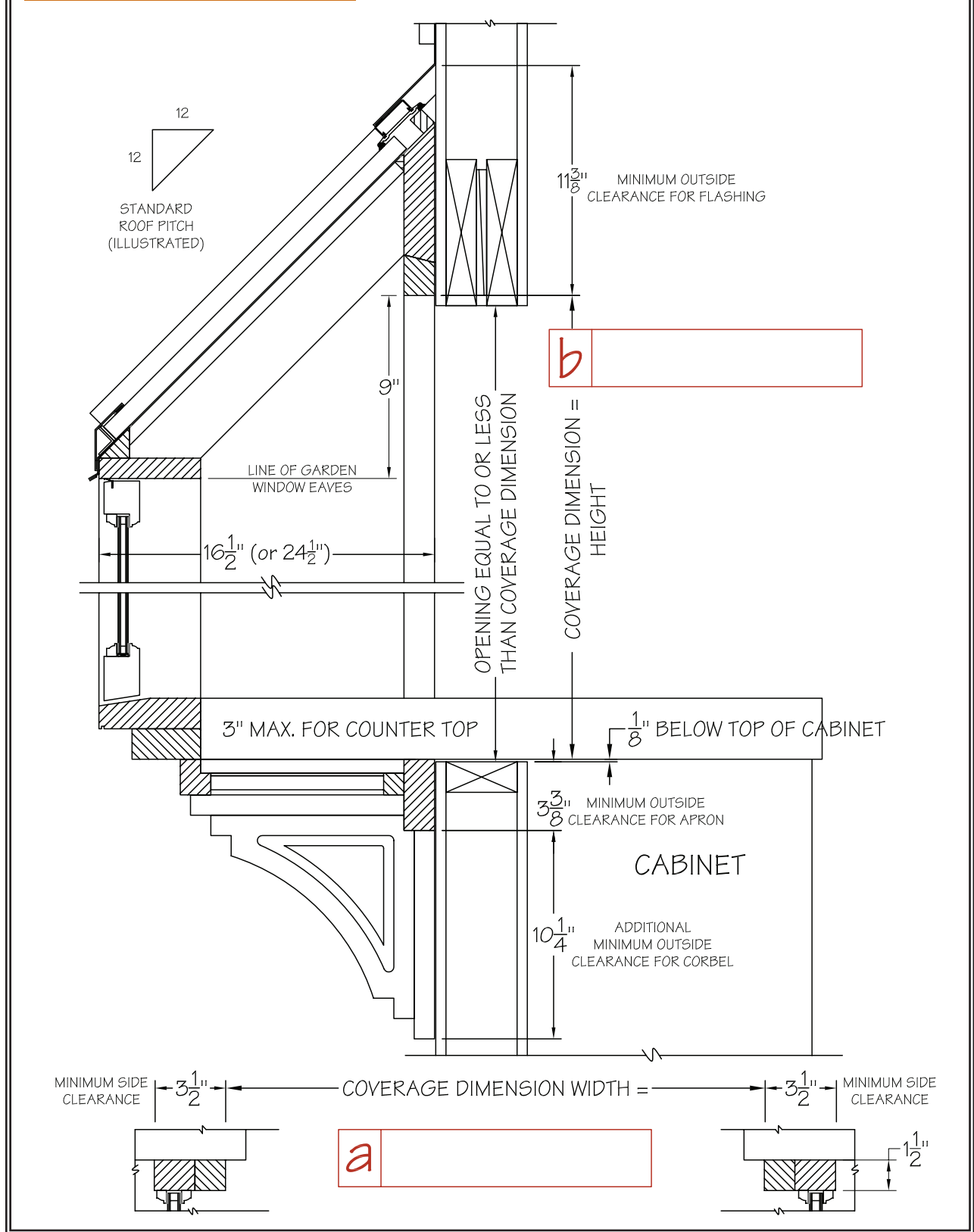
**PLEASE SIGN AND DATE TO PROCEED.**

[Red box for signature and date]

Customer's Signature

Date

**D** **FACE-MOUNT**  
*Counter Top Extension*



**RENAISSANCE CONSERVATORIES**

132 Ashmore Drive, Leola, PA 17540  
800-882-4657 717-661-7520 Fax 717-661-7727  
www.RenaissanceConservatories.com

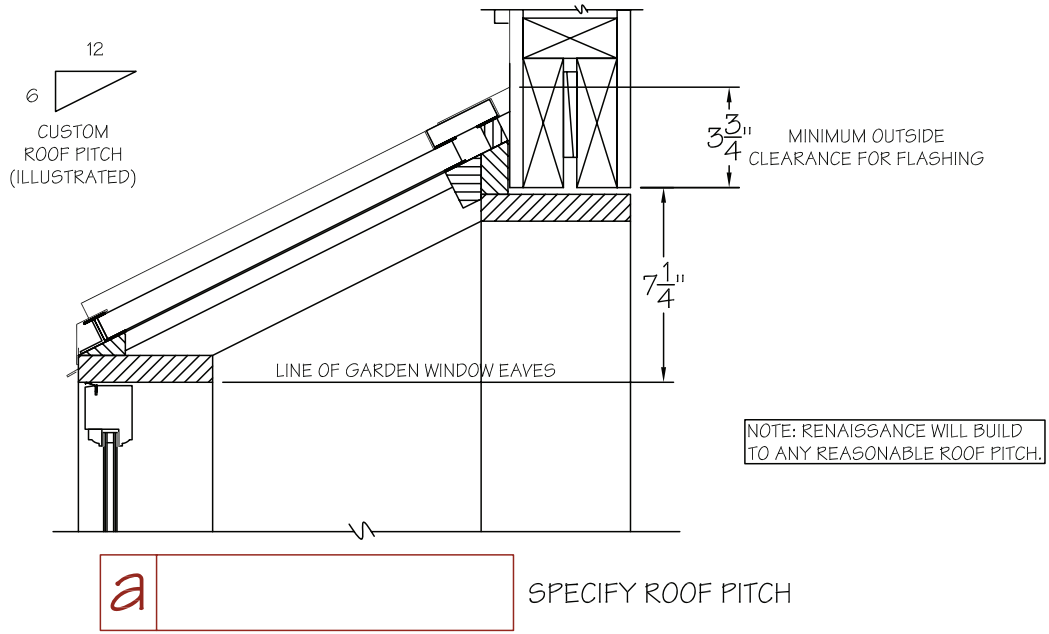
**PLEASE SIGN AND DATE TO PROCEED.**

Customer's Signature

Date

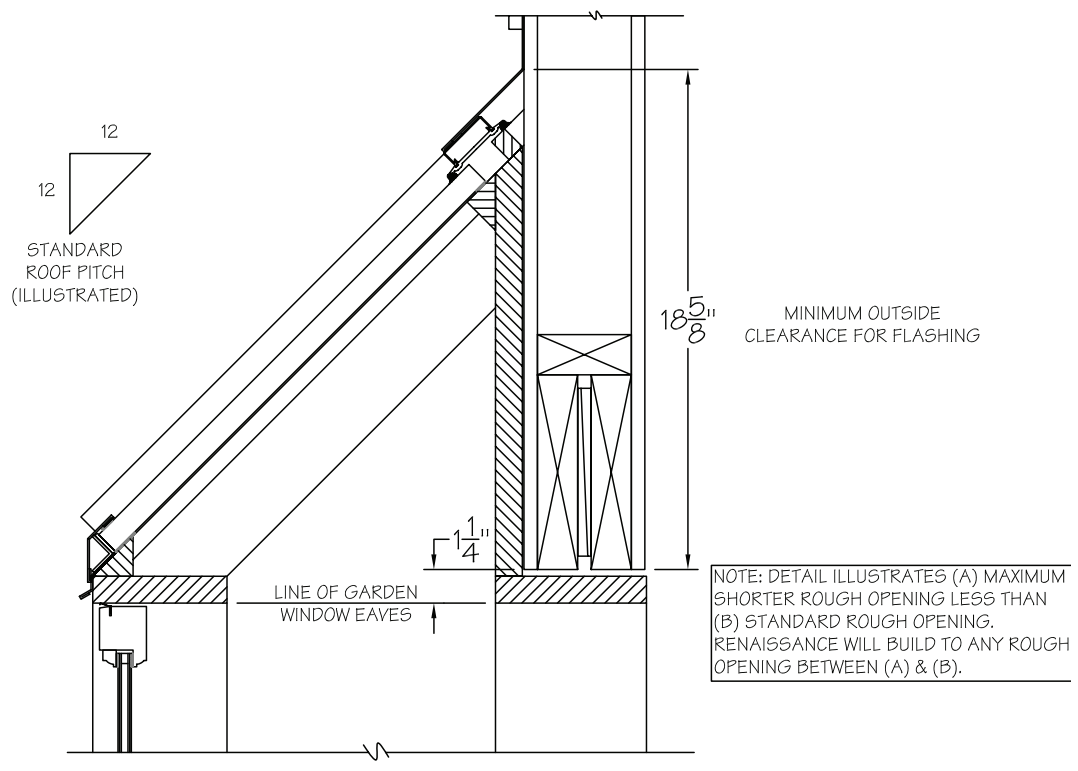
**6 DETAILS - E**

**E CUSTOM ROOF PITCH**



**8 DETAILS - F**

**F SHORTER ROUGH OPENING**



**RENAISSANCE CONSERVATORIES**

132 Ashmore Drive, Leola, PA 17540  
 800-882-4657 717-661-7520 Fax 717-661-7727  
 www.RenaissanceConservatories.com

**PLEASE SIGN AND DATE TO PROCEED.**

Customer's Signature

Date