

GARDEN WINDOW
Price List

JANUARY, 2013



RENAISSANCE
CONSERVATORIES

Effective: January, 2013. Prices & specifications subject to change without notice.

PRICING: AWNING-STYLE (Top-Hinged)

4	3	5	6	7	8	9	10	11	12	13	14	15	16					
Model Number	Maximum Sleeve-Mount Rough Opening or Max. Face-Mount Coverage Dimension (Width x Height)	Base Price (16" Projection, Sleeve-Mount or Face-Mount or Cedro Framing, 12:12 Pitch)	Add for Custom Roof Pitch (Standard Pitch=12:12)	Add for 24" Projection (Call for Tech Support)	Add for Shorter Rough Opening (12" Max.) (Call for Tech Support)	Add for Mounting Sleeve Extension (13-1/4" Max. Wall Thickness) (Call for Tech Support)	Add for Counter Top Extension (Call for Tech Support)	Add for Copper Roof Caps & Outside Metals	Add for Lead-Coated Copper Roof Caps & Outside Metals	Add for Simulated Colonial Divided Lites (Inside & Outside, Front & Sides)	Add for Applied Colonial Roof Grilles (Inside Only)	Add for Simulated Prairie Divided Lites Grilles (Inside & Outside, Front Only)	Add for Victorian or Gothic Arches (Inside & Outside, Front Only)	Add for Crossing Gothic Arches (Priced Per Side, Front Only)	Add for GORE™ inLighten™ Virtually Invisible Window Screens	Add for Roof Sun Screens (Available Only with Aluminum Roof Caps)	Add for Factory Prime Paint	Add for Revival Series Solid Brass/ Bronze Sash Hardware
3030A	36" x 36"	\$3,951	\$419	\$520	\$250	\$305	\$231	\$229	\$313	\$347	\$64	\$281	\$186	\$267	\$86	\$98	\$323	\$327
3040A	36" x 48"	4,280	419	562	250	358	231	229	313	610	64	305	186	267	112	98	323	327
3050A	36" x 60"	4,519	419	600	250	411	231	229	313	814	64	329	186	267	138	98	323	327
3060A	36" x 72"	4,771	419	637	250	465	231	229	313	808	64	353	186	267	163	98	323	327
4030A	48" x 36"	4,293	419	599	279	358	242	258	354	419	76	305	186	267	107	102	323	327
4040A	48" x 48"	4,674	419	643	279	411	242	258	354	724	76	329	186	267	142	102	323	327
4050A	48" x 60"	4,944	419	694	279	479	242	258	354	969	76	353	186	267	176	102	323	327
4060A	48" x 72"	5,204	419	731	279	532	242	258	354	993	76	377	186	267	210	102	323	327
5030B	60" x 36"	5,552	444	732	323	426	269	342	468	526	117	538	372	534	154	146	538	654
5040B	60" x 48"	5,801	444	778	323	479	269	342	468	802	117	586	372	534	197	146	538	654
5050B	60" x 60"	5,972	444	844	323	561	269	342	468	1077	117	634	372	534	240	146	538	654
5060B	60" x 72"	6,151	444	881	323	614	269	342	468	1268	117	682	372	534	283	146	538	654
6030B	72" x 36"	5,751	444	823	352	479	280	371	509	658	148	562	372	534	172	152	538	654
6040B	72" x 48"	6,020	444	886	352	546	280	371	509	1005	148	610	372	534	223	152	538	654
6050B	72" x 60"	6,215	444	937	352	614	280	371	509	1352	148	658	372	534	274	152	538	654
6060B	72" x 72"	6,403	444	1003	352	696	280	371	509	1603	148	706	372	534	326	152	538	654
9030C	108" x 36"	6,991	469	1110	464	653	340	516	708	730	191	843	559	802	258	206	753	981
9040C	108" x 48"	7,369	469	1193	464	734	340	516	708	1131	191	915	559	802	336	206	753	981
9050C	108" x 60"	7,618	469	1272	464	830	340	516	708	1532	191	987	559	802	414	206	753	981
9060C	108" x 72"	7,875	469	1324	464	898	340	516	708	1801	191	1059	559	802	489	206	753	981
10030C	120" x 36"	7,172	469	1053	492	720	351	546	748	921	224	867	559	802	321	209	753	981
10040C	120" x 48"	7,578	469	1288	492	802	351	546	748	1424	224	939	559	802	426	209	753	981
10050C	120" x 60"	7,844	469	1367	492	898	351	546	748	1926	224	1011	559	802	528	209	753	981
10060C	120" x 72"	8,117	469	1433	492	980	351	546	748	2285	224	1083	559	802	630	209	753	981

- Standard Features**
- Custom Sized to Fit Your Opening
 - Factory Assembled
 - Cedro (Spanish Cedar) Framing
 - High Performance Low-E-Glass
 - Operating Sash with Screens
 - Adjustable Plant Shelves
 - Decorative Corbel Supports
 - Copper Drip Tray

A. (One Operable Awning)

1 Motorized Sash:
Add \$698

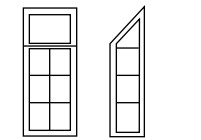
B. (Two Operable Awnings)

2 Motorized Sash:
Add \$1,396

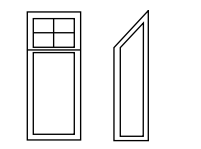
C. (Three Operable Awnings)

3 Motorized Sash:
Add \$2,094

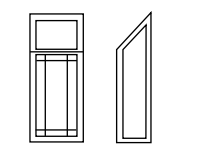
GRID & ARCH OPTIONS SECTION



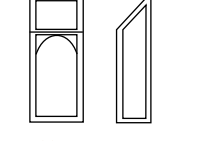
SIMULATED COLONIAL DIVIDED LITES (Inside & Outside)



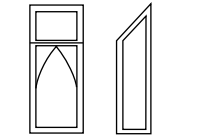
APPLIED COLONIAL ROOF GRILLES (Inside Only)



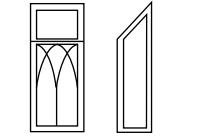
SIMULATED PRAIRIE DIVIDED LITES (Inside & Outside)



VICTORIAN ARCHES (Inside & Outside)



GOTHIC ARCHES (Inside & Outside)



CROSSING GOTHIC ARCHES (Inside Only) (Optional Inside & Outside)

PRICING: CASEMENT-STYLE (Side-Hinged)

4040D	48" x 48"	\$5,557	444	\$680	\$295	\$411	\$258	\$309	424	\$598	\$86	\$562	372	\$534	172	\$146	\$538	654
4050D	48" x 60"	5,709	444	731	295	479	258	309	424	778	86	610	372	534	206	146	538	654
4060D	48" x 72"	5,868	444	768	295	532	258	309	424	933	86	658	372	534	240	146	538	654
6040E	72" x 48"	6,633	469	896	378	546	307	422	579	790	128	843	559	802	258	198	753	981
6050E	72" x 60"	6,836	469	947	378	614	307	422	579	1065	128	915	559	802	309	198	753	981
6060E	72" x 72"	7,033	469	1013	378	696	307	422	579	1244	128	987	559	802	360	198	753	981
8040F	96" x 48"	7,742	494	1197	514	681	408	535	733	981	175	1125	745	1069	344	244	968	1308
8050F	96" x 60"	7,990	494	1248	514	749	408	535	733	1328	175	1220	745	1069	412	244	968	1308
8060F	96" x 72"	8,231	494	1328	514	845	408	535	733	1555	175	1316	745	1069	480	244	968	1308

D. (Two Operable Casements)

E. (Three Operable Casements)

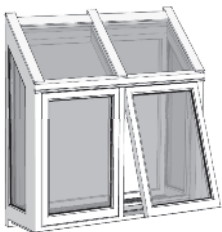
F. (Four Operable Casements)

GARDEN WINDOW ORDER FORM

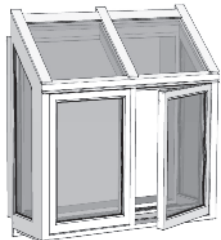
ORDERING IS AS EASY AS **1 2 3**

STEP 1

Circle the preferred **Operable Window Style** (below) and check the appropriate box **1** (right).



Viewed From Outside

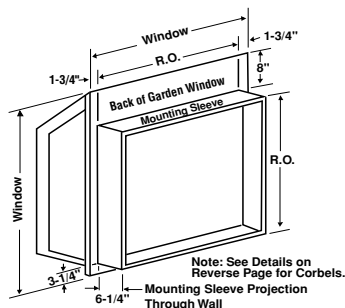


CASEMENT STYLE (Side-Hinged)

AWNING STYLE (Top-Hinged)

STEP 2

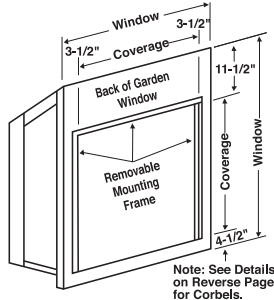
Circle the suitable **Mounting Style** (below), check the appropriate box **2** (right), select and complete the appropriate detail **A** **B** **C** **D**, and submit the Detail Sheet with this Order.



Viewed From Inside

FACE-MOUNT

The back of your Garden Window will have a Removable (3-sided) Mounting Frame which attaches to the outside of your house wall. Your window "hangs" on the Mounting Frame and "surrounds" your existing window opening. We can make your Face-Mounted Garden Window down-in-size to barely clear your window opening, or you can keep the larger standard size to enjoy added space.



Note: See Details on Reverse Page for Corbels.

SLEEVE-MOUNT

The back of your Garden Window will have a built-in Mounting Sleeve that will "slide" into your window opening. The Mounting Sleeve will go through your wall a maximum of 6-1/4". If your wall is thicker than 6-1/4", we offer a Mounting Sleeve Extension **9** for a wall thickness up to 13-1/4".

STEP 3

Measure your old window or measure your new window opening and compare your dimensions with the dimensions on the **3** Pricing Chart. Select the **4** Model Number that is larger than your window opening to determine your **5** Base Price. We will custom build your Garden Window to fit your exact opening dimension.

Garden Window Help Line: 1-800-882-4657 (Mon. - Fri. 9-5 Eastern Time)

Mail To: **RENAISSANCE CONSERVATORIES**
132 Ashmore Drive, Leola, PA 17540
Fax To: 717-661-7727

The Buyer		Ship To	
Company _____	Company _____	Company _____	Company _____
Name _____	Name _____	Name _____	Name _____
Address _____	Address _____	Address _____	Address _____
City _____ State _____ ZIP _____	City _____ State _____ ZIP _____	City _____ State _____ ZIP _____	City _____ State _____ ZIP _____
Phone _____ Fax _____	D. Phone _____ E. Phone _____	D. Phone _____ E. Phone _____	D. Phone _____ E. Phone _____
Email _____	Email _____	Email _____	Email _____

Will this Garden Window be installed at an elevation exceeding 5,000 feet above sea level? Yes No

- 1** Operable Window Style: Awning Style Casement Style
2 Mounting Style: Sleeve-Mount **A** Face-Mount **B**
 Sleeve-Mount Counter Top Extension **C** Face-Mount Counter Top Extension **D**

3 Size: (Refer to and complete the appropriate Detail Sheet(s), and submit with this Order.)

For Sleeve-Mount: **a** Rough Opening Width _____ **b** Rough Opening Height _____

c Total Wall Thickness _____

For Face-Mount: **a** Coverage Width _____ **b** Coverage Height _____

4 Model Number: _____ **5** Base Price \$ _____

6 Add for Custom Roof Pitch **E** [a] Specify Roof Pitch _____ \$ _____

7 Add for 24" Projection \$ _____

8 Add for Shorter Rough Opening **F** (12" maximum) (Call for Technical Support) \$ _____

9 Add for Mounting Sleeve Extension Total Finished Wall Thickness _____ \$ _____

10 Add for Counter Top Extension (Call for Technical Support) Counter Thickness _____ \$ _____

11 Add for Copper Roof Caps & Outside Metals Lead-Coated Copper Roof Caps & Outside Metals \$ _____

12 Add for Simulated Colonial Divided Lites Simulated Prairie Divided Lites: 5/8" 7/8" \$ _____

Applied Colonial Roof Grilles: 5/8" 7/8" \$ _____

Victorian Arches Gothic Arches Crossing Gothic Arches \$ _____

13 Add for GORE™ inLighten™ Virtually Invisible Window Screens \$ _____

14 Add for Roof Sun Screens Aluminum Frame & Track Color: Bronze White \$ _____

15 Add for Factory Prime Paint Inside Only Outside Only Both Inside and Outside \$ _____

16 Add for _____ \$ _____

17 Add for _____ \$ _____

Sub-Total \$ _____

\$ _____

18 FINISHES SECTION

Framing: Cedro Western Red Cedar* Honduran Mahogany*

* Call for price quotation.

Roof Caps & Outside Metals:

- Standard Bronze Aluminum
 Standard White Aluminum
 Optional Copper
 Optional Lead-Coated Copper

Window Hardware, Shelf Hardware & Screens Frames:

- Bronze White Beige

Shelves: Glass Wood

Optional Revival Series Brass/Bronze Hardware Finish:

- 0125 0104 0105

Terms: 50% Deposit, Balance due prior to shipment. Prices are F.O.B. Leola, Pennsylvania. Shipping will be freight collect. Prices subject to change without notice. Your Garden Window will be made to order and will take approximately 6 - 10 weeks. Your Garden Window will arrive assembled and crated, and may weigh several hundred pounds. You will need to provide the necessary manpower to remove it from the truck and transport it to your site.

Tax No. on file. PA and MD Residents add 6%, NJ Residents add 7% Sales Tax

Total Order \$ _____

50% Deposit (\$ _____)

Balance \$ _____

Signature _____ Date _____

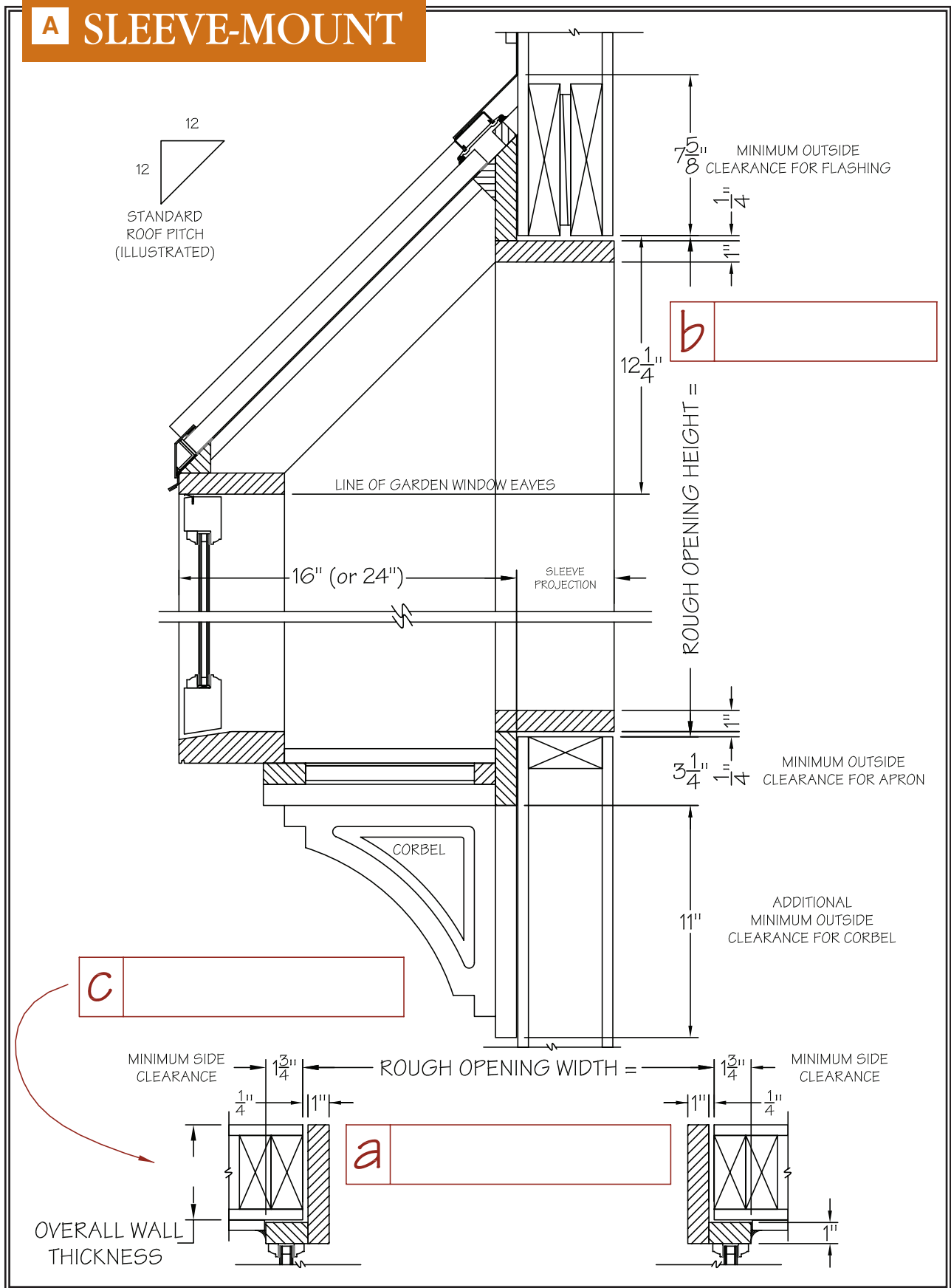
Method of Payment: Check/Money Order

_____|_____|_____|_____|_____|_____|_____|_____|_____|_____|_____|_____|_____|_____|_____|_____|

Credit Card Account Number

Expiration Date

A SLEEVE-MOUNT



RENAISSANCE CONSERVATORIES

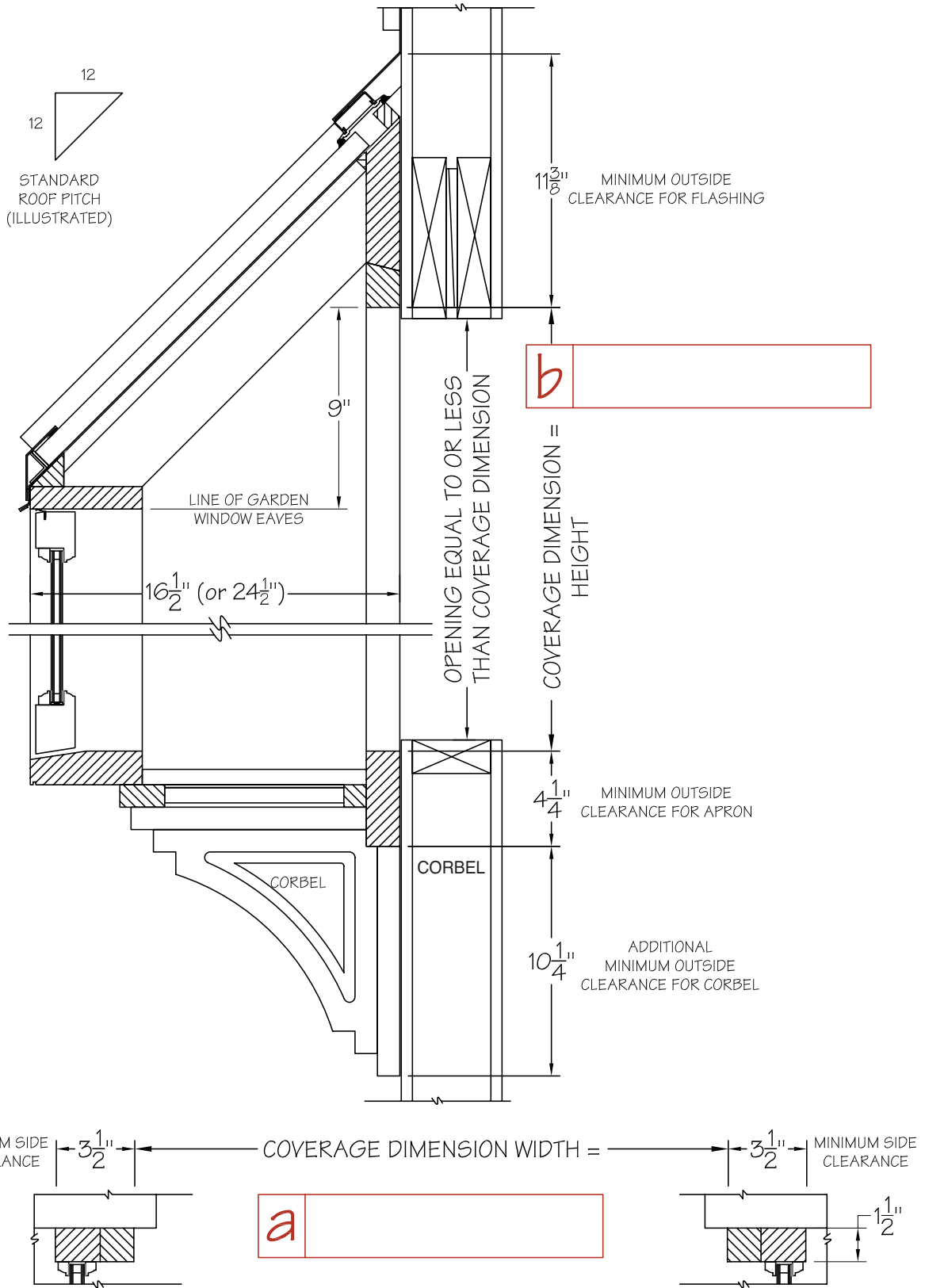
132 Ashmore Drive, Leola, PA 17540
 800-882-4657 717-661-7520 Fax 717-661-7727
 www.RenaissanceConservatories.com

PLEASE SIGN AND DATE TO PROCEED.

Customer's Signature

Date

B FACE-MOUNT



RENAISSANCE CONSERVATORIES

132 Ashmore Drive, Leola, PA 17540
 800-882-4657 717-661-7520 Fax 717-661-7727
 www.RenaissanceConservatories.com

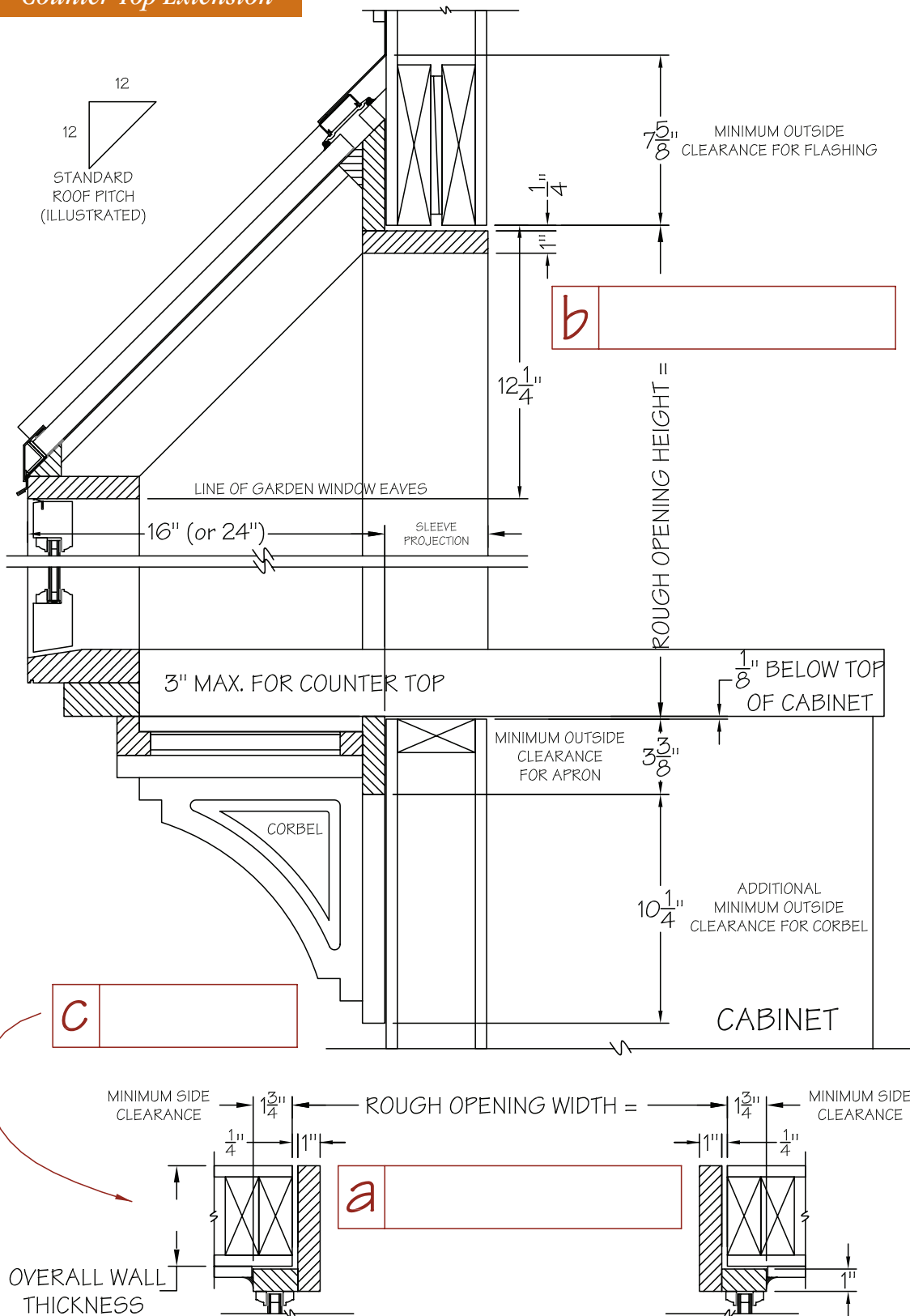
PLEASE SIGN AND DATE TO PROCEED.

[]

Customer's Signature

Date

C SLEEVE-MOUNT
Counter Top Extension



RENAISSANCE CONSERVATORIES

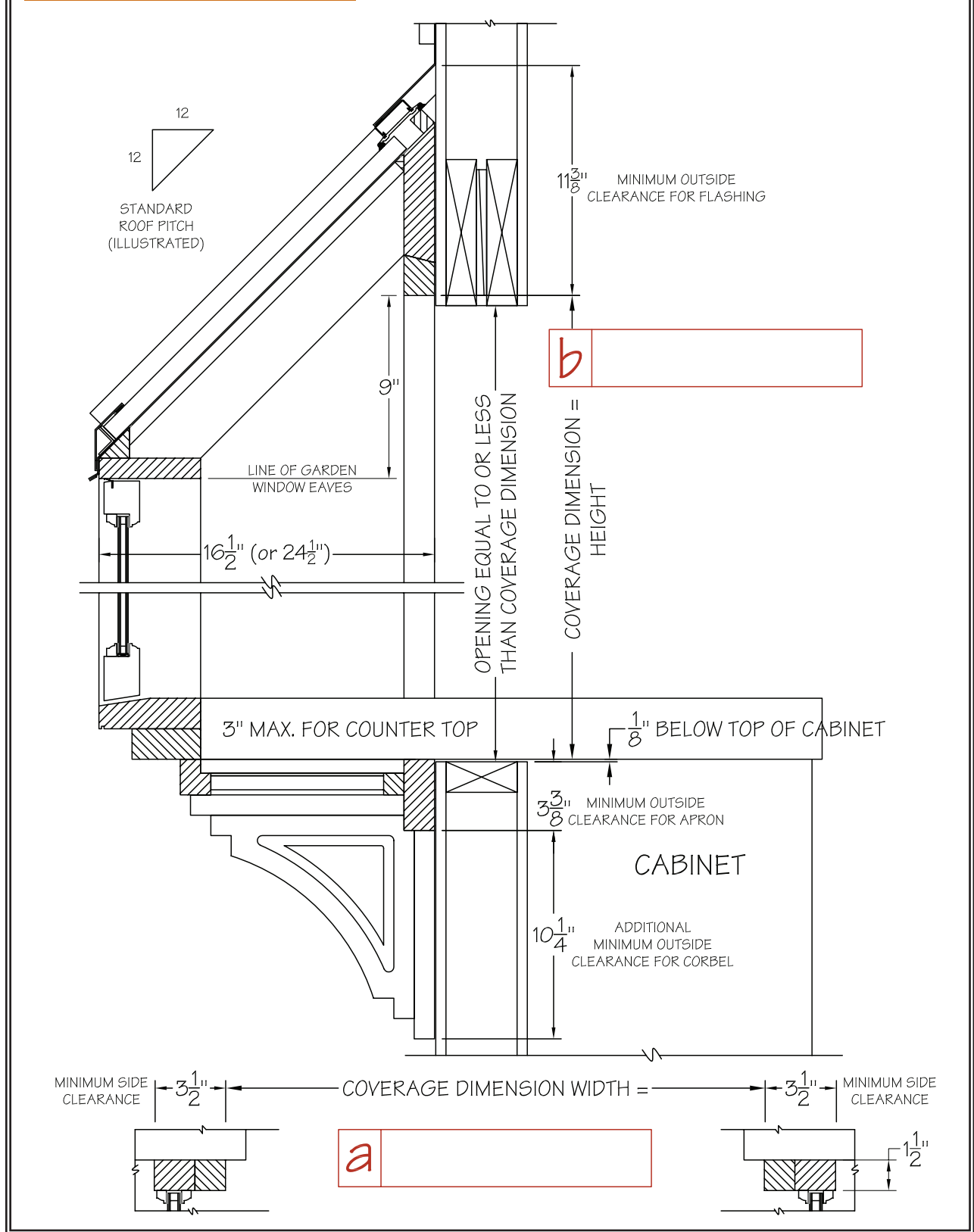
132 Ashmore Drive, Leola, PA 17540
800-882-4657 717-661-7520 Fax 717-661-7727
www.RenaissanceConservatories.com

PLEASE SIGN AND DATE TO PROCEED.

Customer's Signature

Date

D **FACE-MOUNT**
Counter Top Extension



RENAISSANCE CONSERVATORIES

132 Ashmore Drive, Leola, PA 17540
800-882-4657 717-661-7520 Fax 717-661-7727
www.RenaissanceConservatories.com

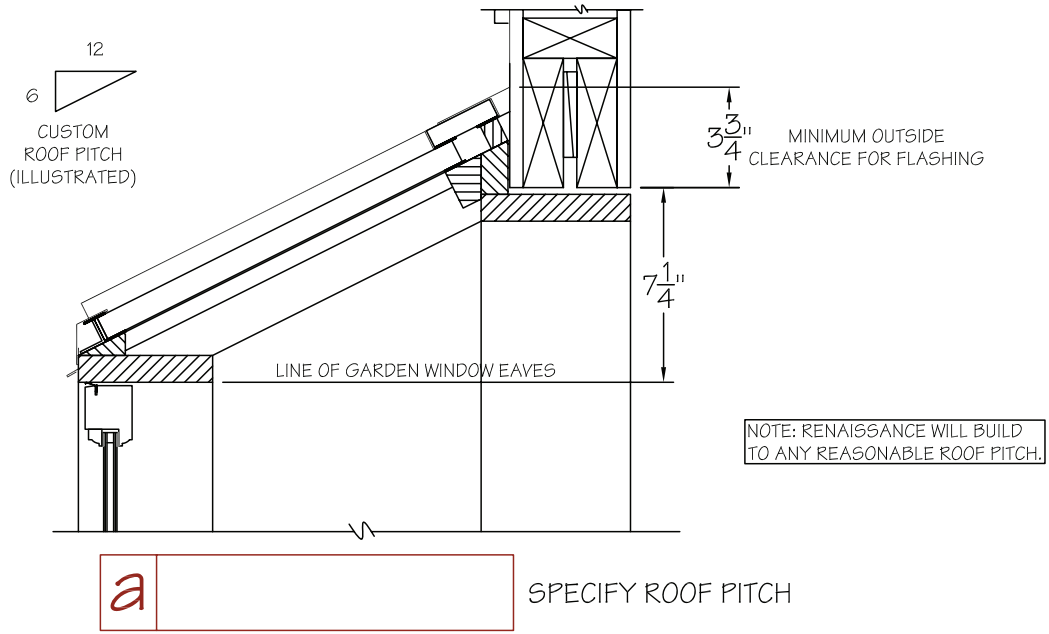
PLEASE SIGN AND DATE TO PROCEED.

Customer's Signature

Date

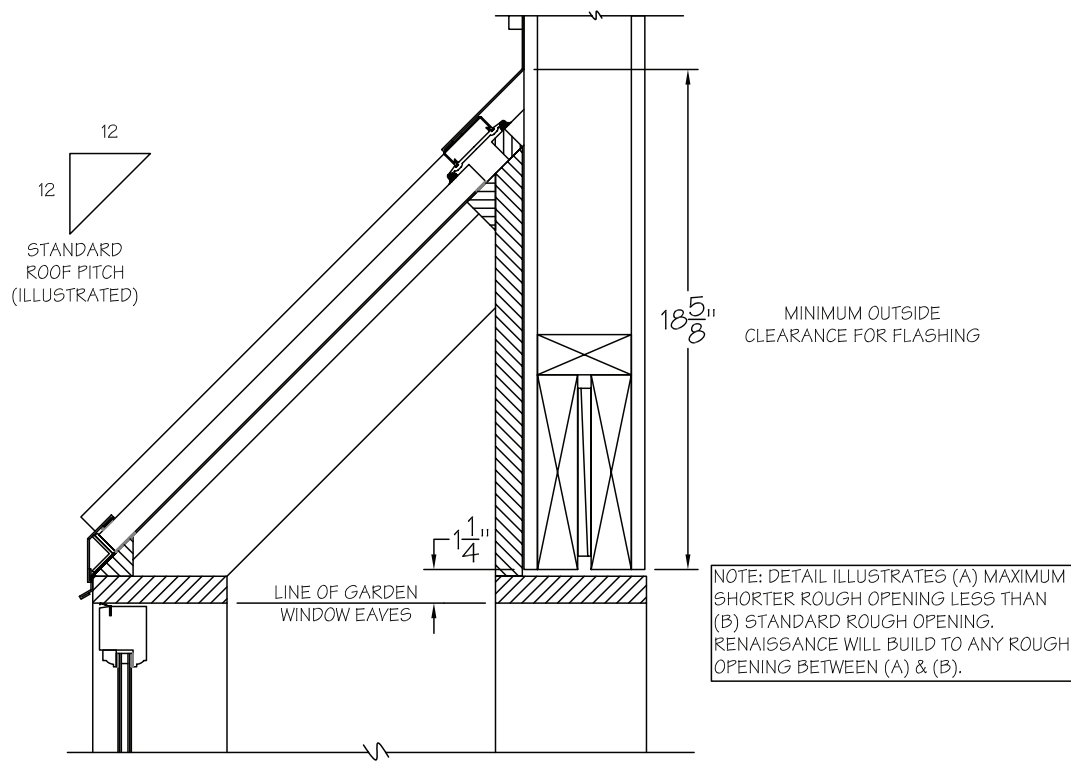
6 DETAILS - E

E CUSTOM ROOF PITCH



8 DETAILS - F

F SHORTER ROUGH OPENING



RENAISSANCE CONSERVATORIES
 132 Ashmore Drive, Leola, PA 17540
 800-882-4657 717-661-7520 Fax 717-661-7727
 www.RenaissanceConservatories.com

PLEASE SIGN AND DATE TO PROCEED.

Customer's Signature Date